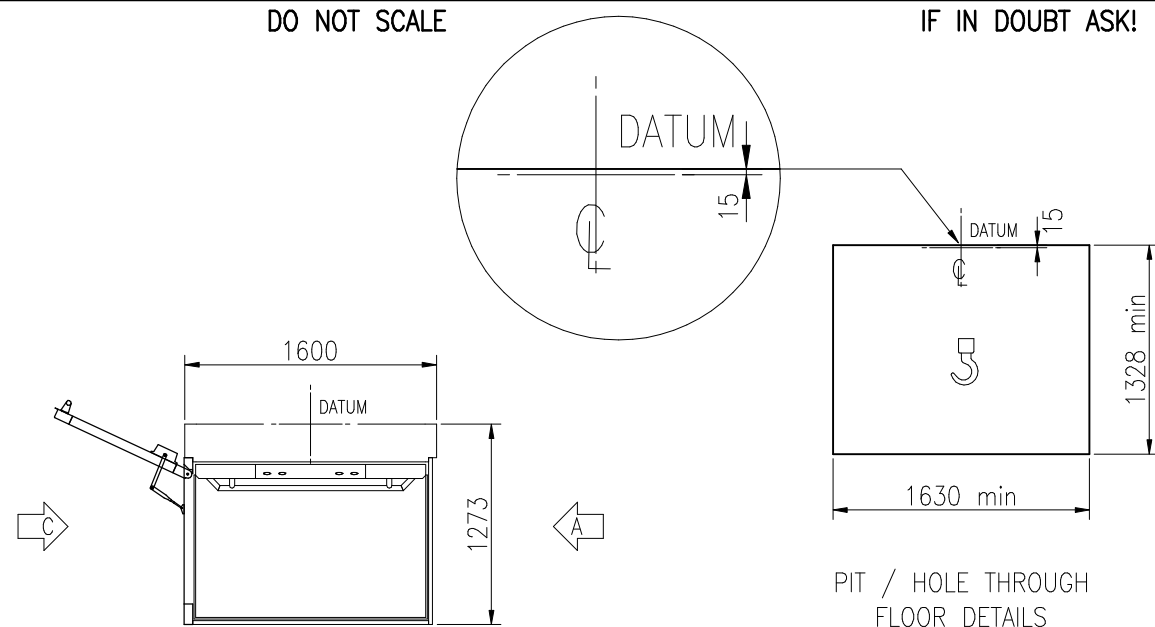


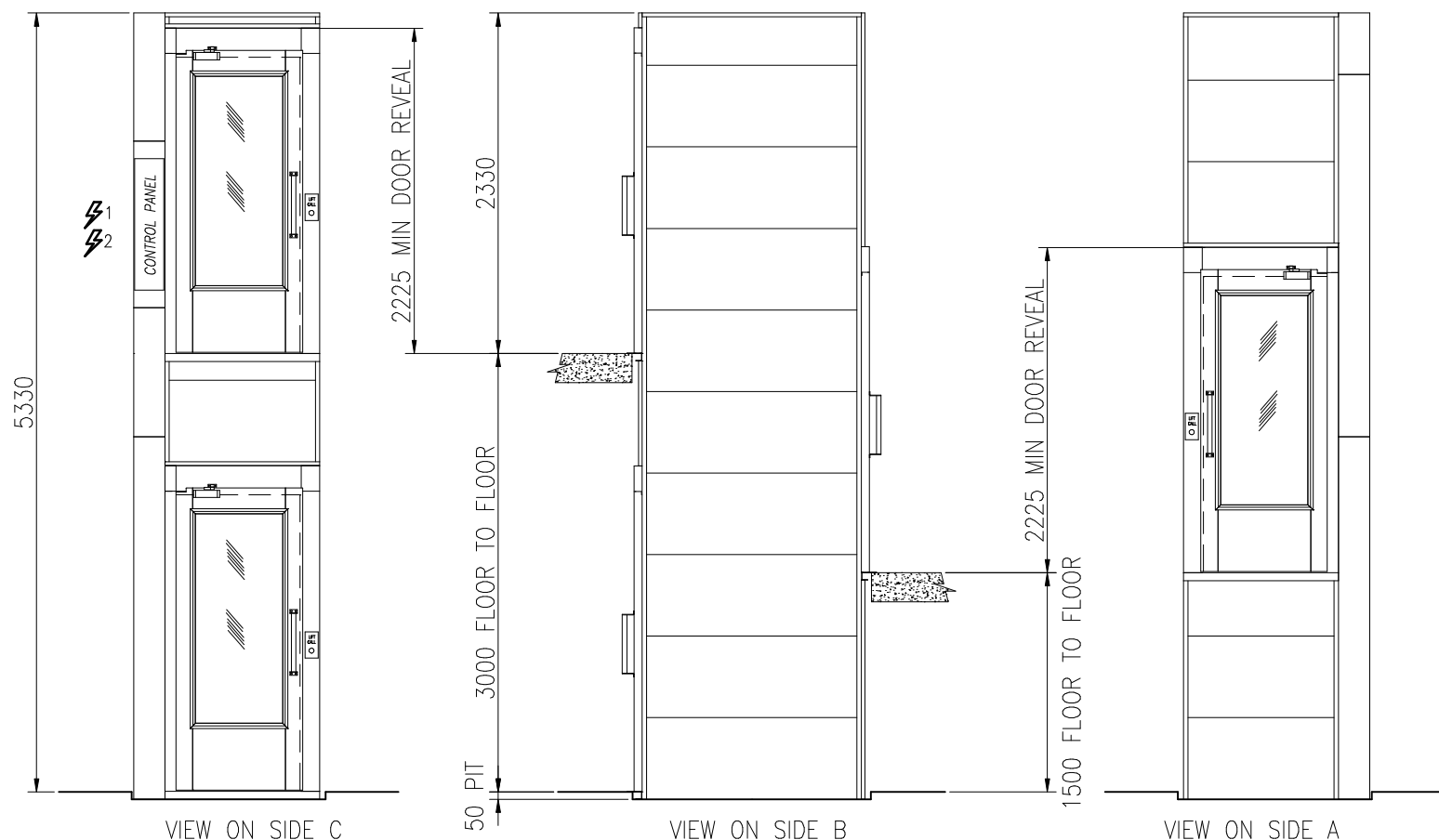
ALL DIM. ARE IN mm

DO NOT SCALE

IF IN DOUBT ASK!



SECTION THROUGH LIFT AT GROUND FLOOR  
PIT / HOLE THROUGH FLOOR DETAILS



VIEW ON SIDE C

VIEW ON SIDE B

VIEW ON SIDE A

SPECIFICATION		OPTIONS AVAILABLE									
VERTICAL PLATFORM LIFT FOR USE BY PERSONS WITH IMPAIRED MOBILITY ONLY LOADING TO 400kg, TWO PERSON OCCUPANCY WITH FULLY ENCLOSED SHAFT PLATFORM SIZE 1480mm x 900mm		KEY SWITCH DOOR CALL POINTS KEY ISOLATE DOOR CALL POINTS STAINLESS STEEL DOOR HANDLES PIT SPLIT MAST POWERED DOOR ACTUATORS REAR CLADDING PANELS STAINLESS STEEL GRAB RAIL MAST SUPPORT BRACKETS FOLD DOWN PLATFORM SEAT									
ELECTRICAL REQUIREMENTS		AUTODIALER									
⚡1	LIFT POWER SUPPLY 1 PHASE 230V 20A or 3 PHASE 415V 10A	PLATFORM AUDIBLE / VISUAL ANN.									
⚡2	CEILING LIGHT POWER SUPPLY 1 PHASE 230V 6A	INDUCTION LOOP									
LIFTING BEAM / POINT REQUIREMENTS		AUDIBLE ANN. ON LANDING									
⤴	LIFTING BEAM / POINT REQUIRED RATED AT 500kg SWL	VISUAL ANN. ON LANDING									
OTHER NOTES		SUPPLEMENTARY VISUAL ALARM									
900mm WIDE PLATFORM DOOR OPENING WIDTH IS 830mm		GLAZING									
		SIDE A									
		SIDE B									
		SIDE C									
		<table border="1"> <tr> <td>A</td> <td>J.J.SELFRIDGE 20 APR 09</td> <td colspan="2">ORIGINAL ISSUE</td> </tr> <tr> <td>ISSUE</td> <td>DRN./DATE</td> <td colspan="2">CHANGE DETAILS</td> </tr> </table>		A	J.J.SELFRIDGE 20 APR 09	ORIGINAL ISSUE		ISSUE	DRN./DATE	CHANGE DETAILS	
A	J.J.SELFRIDGE 20 APR 09	ORIGINAL ISSUE									
ISSUE	DRN./DATE	CHANGE DETAILS									
		CLIENT									
		TITLE									
		VERTICAL LIFTING PLATFORM TYPICAL LAYOUT DRAWING 3 FLOOR EXAMPLE 900 PLATFORM									
		CONTRACT NO: - ORIGINAL SCALE: 1:50									
		DRAWING NO: K-TYP23									
DRAWING APPROVAL											
DRAWING APPROVED BY DISTRIBUTOR											
SIGN..... NAME..... DATE .../.../...											
DRAWING APPROVED BY CLIENT		<b>HARRY DALBY ENGINEERING LTD</b> GLOUCESTER CRESCENT WIGSTON LEICESTER LE18 4YQ TEL: 0116 291 6000 FAX: 0116 291 6001									
SIGN..... NAME..... DATE .../.../...		THIS DRAWING IS ISSUED SOLELY ON THE UNDERSTANDING THAT IT IS COPYRIGHT AND CONFIDENTIAL. IT MAY NOT BE USED OR REPRODUCED WITHOUT PRIOR WRITTEN CONSENT OF THE COMPANY									
		THIRD ANGLE PROJECTION									
		A3									