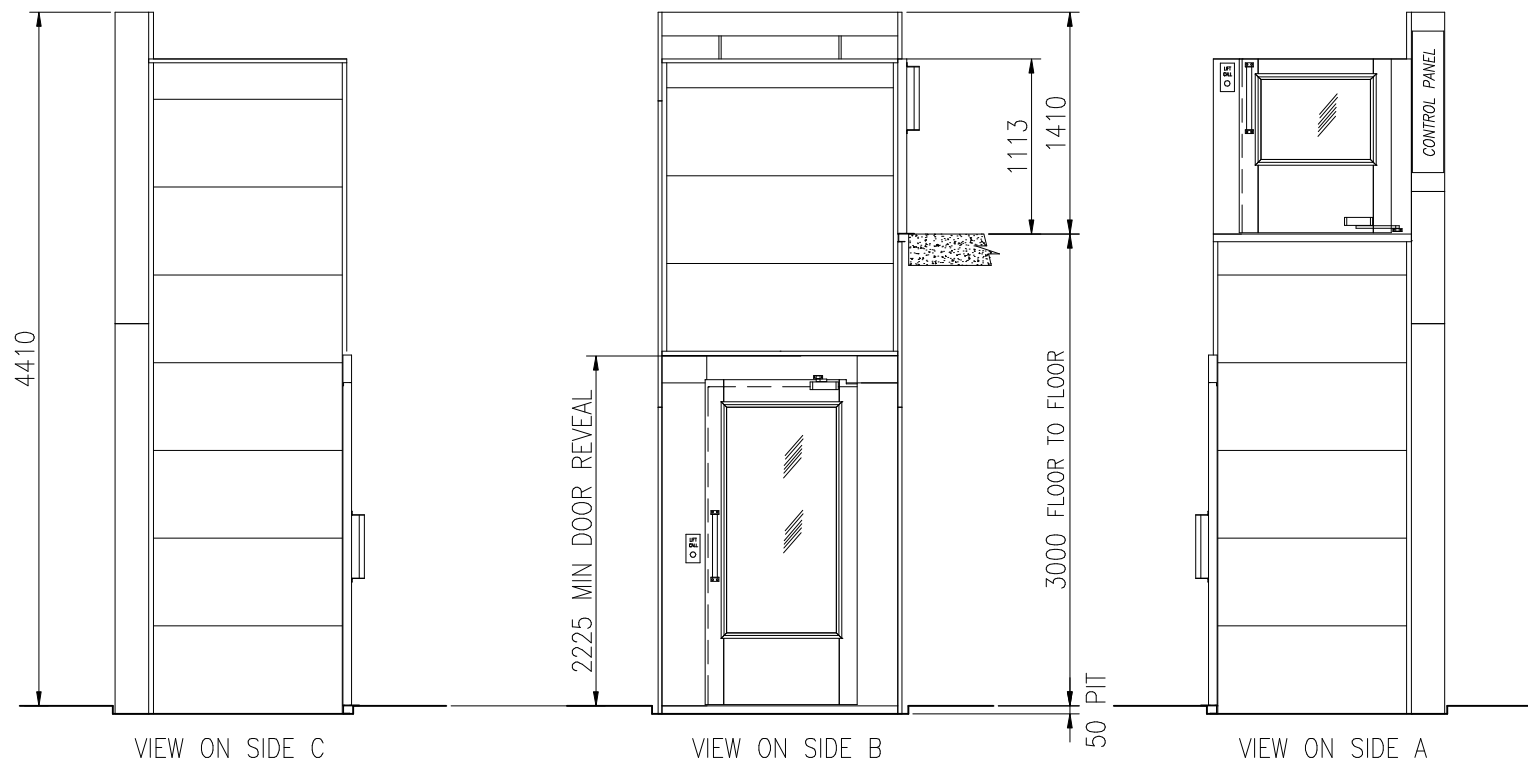
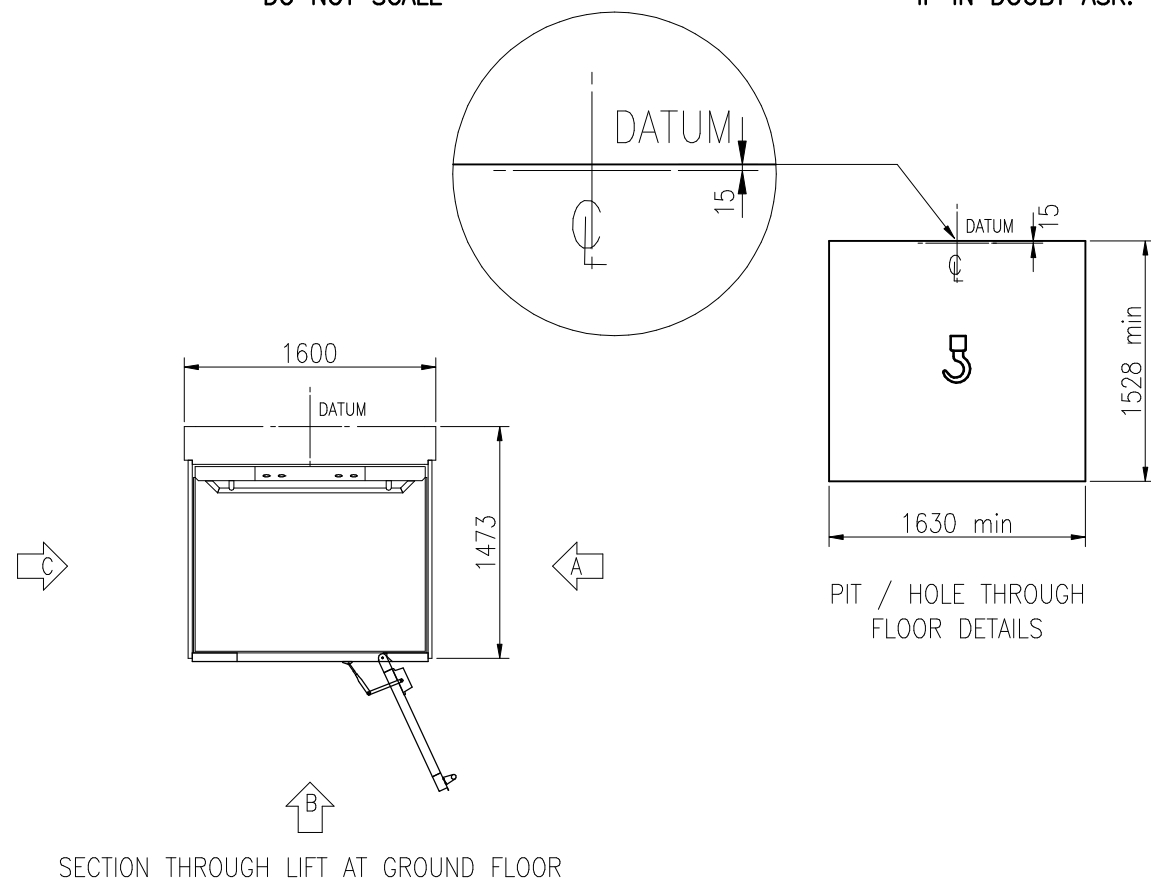


ALL DIM. ARE IN mm

DO NOT SCALE

IF IN DOUBT ASK!



SPECIFICATION		OPTIONS AVAILABLE							
VERTICAL PLATFORM LIFT FOR USE BY PERSONS WITH IMPAIRED MOBILITY ONLY LOADING TO 400kg, TWO PERSON OCCUPANCY WITH FULLY ENCLOSED SHAFT PLATFORM SIZE 1480mm x 1100mm		KEY SWITCH DOOR CALL POINTS KEY ISOLATE DOOR CALL POINTS STAINLESS STEEL DOOR HANDLES PIT SPLIT MAST POWERED DOOR ACTUATORS REAR CLADDING PANELS STAINLESS STEEL GRAB RAIL MAST SUPPORT BRACKETS FOLD DOWN PLATFORM SEAT							
ELECTRICAL REQUIREMENTS		AUTODIALER							
⚡ <sub>1</sub>	LIFT POWER SUPPLY 1 PHASE 230V 20A or 3 PHASE 415V 10A	PLATFORM AUDIBLE / VISUAL ANN.							
⚡ <sub>2</sub>	CEILING LIGHT POWER SUPPLY 1 PHASE 230V 6A	INDUCTION LOOP							
LIFTING BEAM / POINT REQUIREMENTS		AUDIBLE ANN. ON LANDING							
⚡	LIFTING BEAM / POINT REQUIRED RATED AT 500kg SWL	VISUAL ANN. ON LANDING							
		SUPPLEMENTARY VISUAL ALARM							
		GLAZING							
		SIDE A							
		SIDE B							
		SIDE C							
		<table border="1"> <tr> <td>A</td> <td>J.J.SELFRIDGE 17 APR 09</td> <td>ORIGINAL ISSUE</td> </tr> <tr> <td>ISSUE</td> <td>DRN./DATE</td> <td>CHANGE DETAILS</td> </tr> </table>		A	J.J.SELFRIDGE 17 APR 09	ORIGINAL ISSUE	ISSUE	DRN./DATE	CHANGE DETAILS
A	J.J.SELFRIDGE 17 APR 09	ORIGINAL ISSUE							
ISSUE	DRN./DATE	CHANGE DETAILS							
		CLIENT							
		-							
		-							
		-							
		-							
		TITLE							
		VERTICAL LIFTING PLATFORM TYPICAL LAYOUT DRAWING HALF DOOR 1100 PLATFORM							
		CONTRACT NO:	- ORIGINAL SCALE: 1:50						
		DRAWING NO:	K-TYP10						
		<h1>Dalby</h1>							
		<b>HARRY DALBY ENGINEERING LTD</b> GLOUCESTER CRESCENT WIGSTON LEICESTER LE18 4YQ TEL: 0116 291 6000 FAX: 0116 291 6001							
DRAWING APPROVAL		THIS DRAWING IS ISSUED SOLELY ON THE UNDERSTANDING THAT IT IS COPYRIGHT AND CONFIDENTIAL. IT MAY NOT BE USED OR REPRODUCED WITHOUT PRIOR WRITTEN CONSENT OF THE COMPANY							
DRAWING APPROVED BY DISTRIBUTOR		<table border="1"> <tr> <td>⊕</td> <td>THIRD ANGLE PROJECTION</td> <td>A3</td> </tr> </table>		⊕	THIRD ANGLE PROJECTION	A3			
⊕	THIRD ANGLE PROJECTION			A3					
SIGN..... NAME..... DATE .../.../...									
DRAWING APPROVED BY CLIENT									
SIGN..... NAME..... DATE .../.../...									