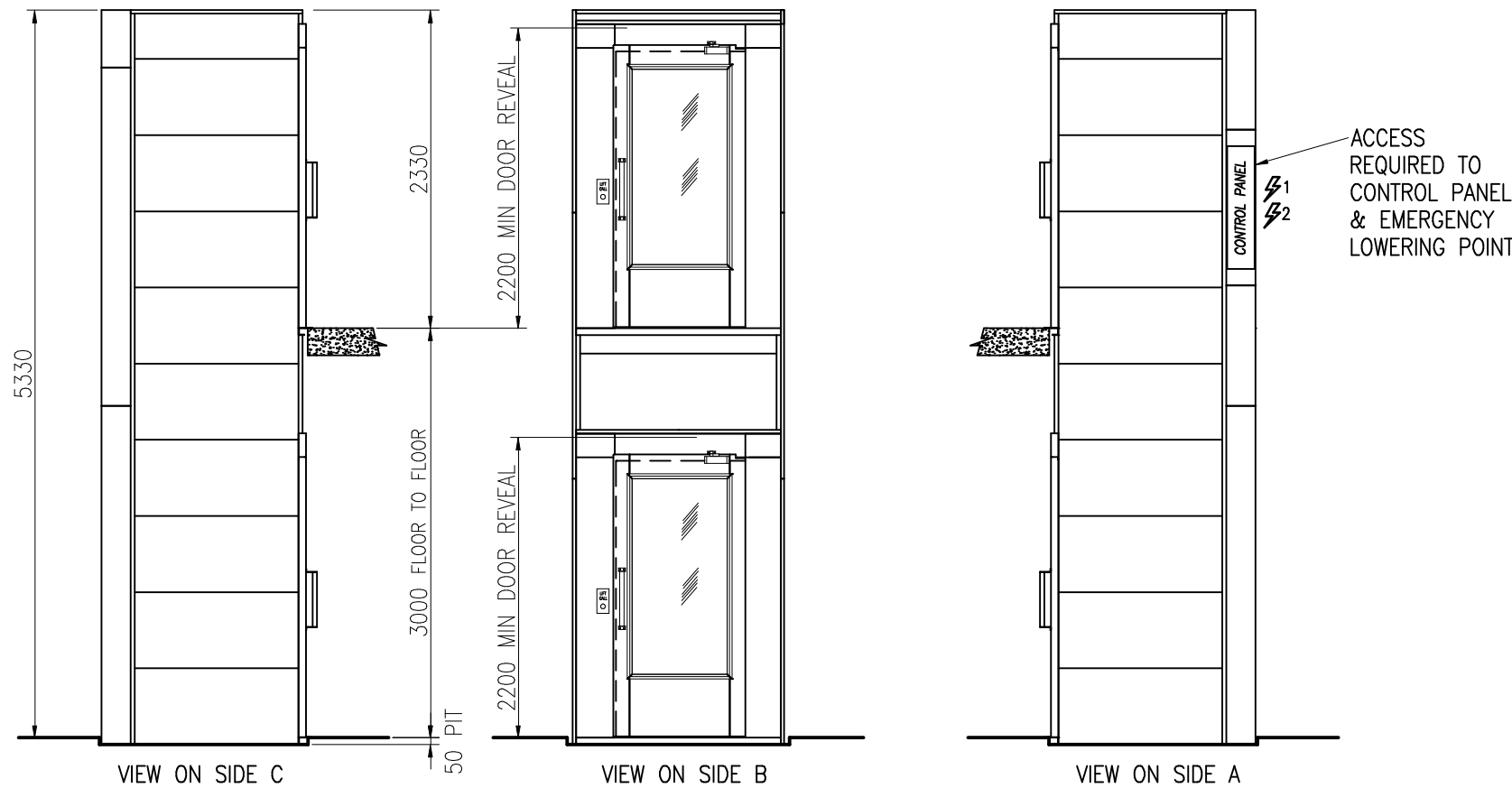
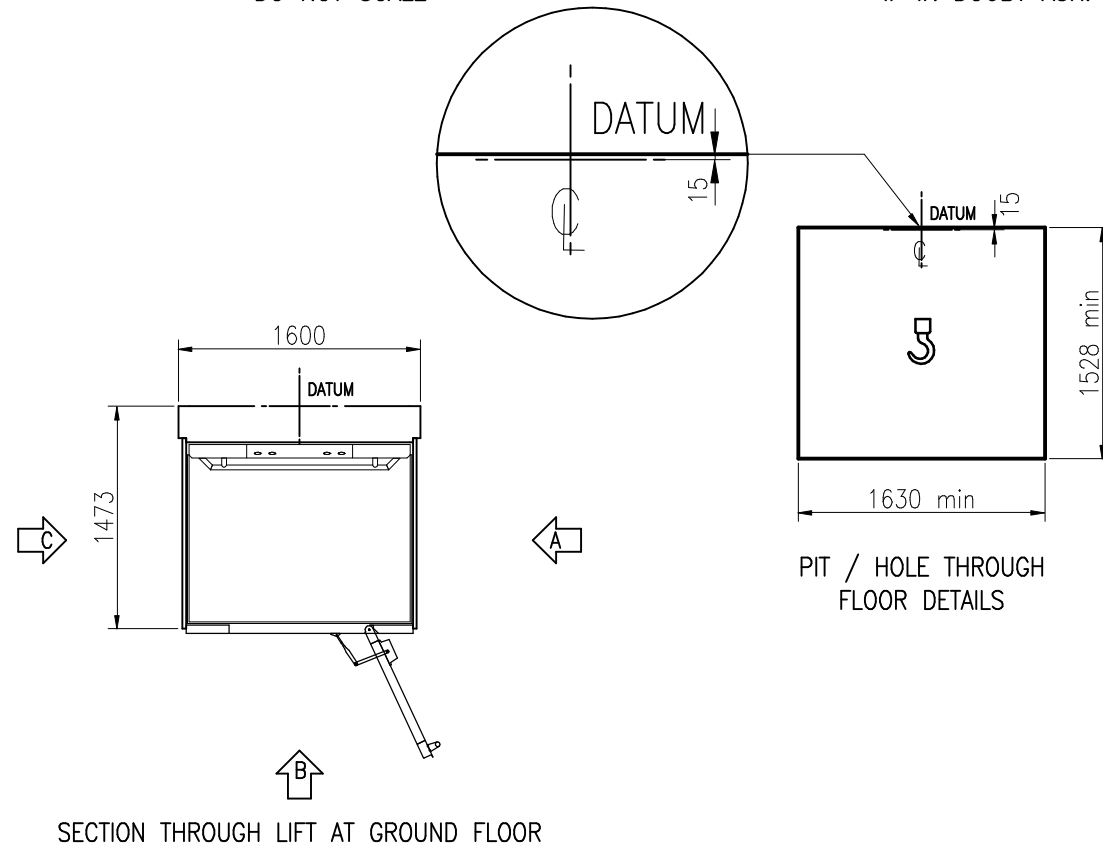


ALL DIM. ARE IN mm

DO NOT SCALE

IF IN DOUBT ASK!



SPECIFICATION		OPTIONS AVAILABLE	
VERTICAL PLATFORM LIFT FOR USE BY PERSONS WITH IMPAIRED MOBILITY ONLY LOADING TO 400kg, TWO PERSON OCCUPANCY WITH FULLY ENCLOSED SHAFT PLATFORM SIZE 1480mm x 1100mm		PIT	
		SPLIT MAST	
		POWERED DOOR ACTUATORS	
		GLAZING	
		SIDE A	
		SIDE B	
		SIDE C	
		MAST CLADDING TO FLOOR	
		REAR CLADDING PANELS	
		CEILING WITH LIGHT FITTING	
ELECTRICAL REQUIREMENTS		POWERED EMERGENCY LOWERING	
⚡1	LIFT POWER SUPPLY 1 PHASE 230V 20A or 3 PHASE 415V 10A	STAINLESS STEEL DOOR HANDLES	
		STAINLESS STEEL GRAB RAIL	
		MAST SUPPORT BRACKETS	
		KEY SWITCH DOOR CALL POINTS	
		AUTODIALER	
		VOICE ANNUNCIATION (PLATFORM)	
LIFTING BEAM / POINT REQUIREMENTS		INDUCTION LOOP	
⚡	LIFTING BEAM / POINT REQUIRED RATED AT 500kg SWL	SUPPLEMENTARY VISUAL ALARM	
		AUDIBLE ANN. ON LANDING (GONG)	
		VISUAL ANN. ON PLATFORM	
		VISUAL ANN. ON LANDING	
OTHER NOTES		EXTERNAL ROOF	
ACCESS WILL BE REQUIRED TO THE SIDE OF MAST AT TOP LANDING LEVEL FOR THE CONTROL PANEL & EMERGENCY LOWERING POINT			
A	A.J.ROLLINGS 08 NOV 06	ORIGINAL ISSUE	
ISSUE	DRN./DATE	CHANGE DETAILS	
CLIENT			
-			
-			
-			
-			
TITLE			
VERTICAL LIFTING PLATFORM TYPICAL LAYOUT DRAWING ADJACENT DOORS			
CONTRACT NO: -		ORIGINAL SCALE: 1:50	
DRAWING NO: K-TYP04			
<h1>Dalby</h1>			
HARRY DALBY ENGINEERING LTD			
GLOUCESTER CRESCENT WIGSTON LEICESTER LE18 4YQ TEL: 0116 291 6000 FAX: 0116 291 6001			
DRAWING APPROVAL			
DRAWING APPROVED BY DISTRIBUTOR			
SIGN..... NAME..... DATE .../.../...			
DRAWING APPROVED BY CLIENT			
SIGN..... NAME..... DATE .../.../...			
			A3

THIS DRAWING IS ISSUED SOLELY ON THE UNDERSTANDING THAT IT IS COPYRIGHT AND CONFIDENTIAL. IT MAY NOT BE USED OR REPRODUCED WITHOUT PRIOR WRITTEN CONSENT OF THE COMPANY