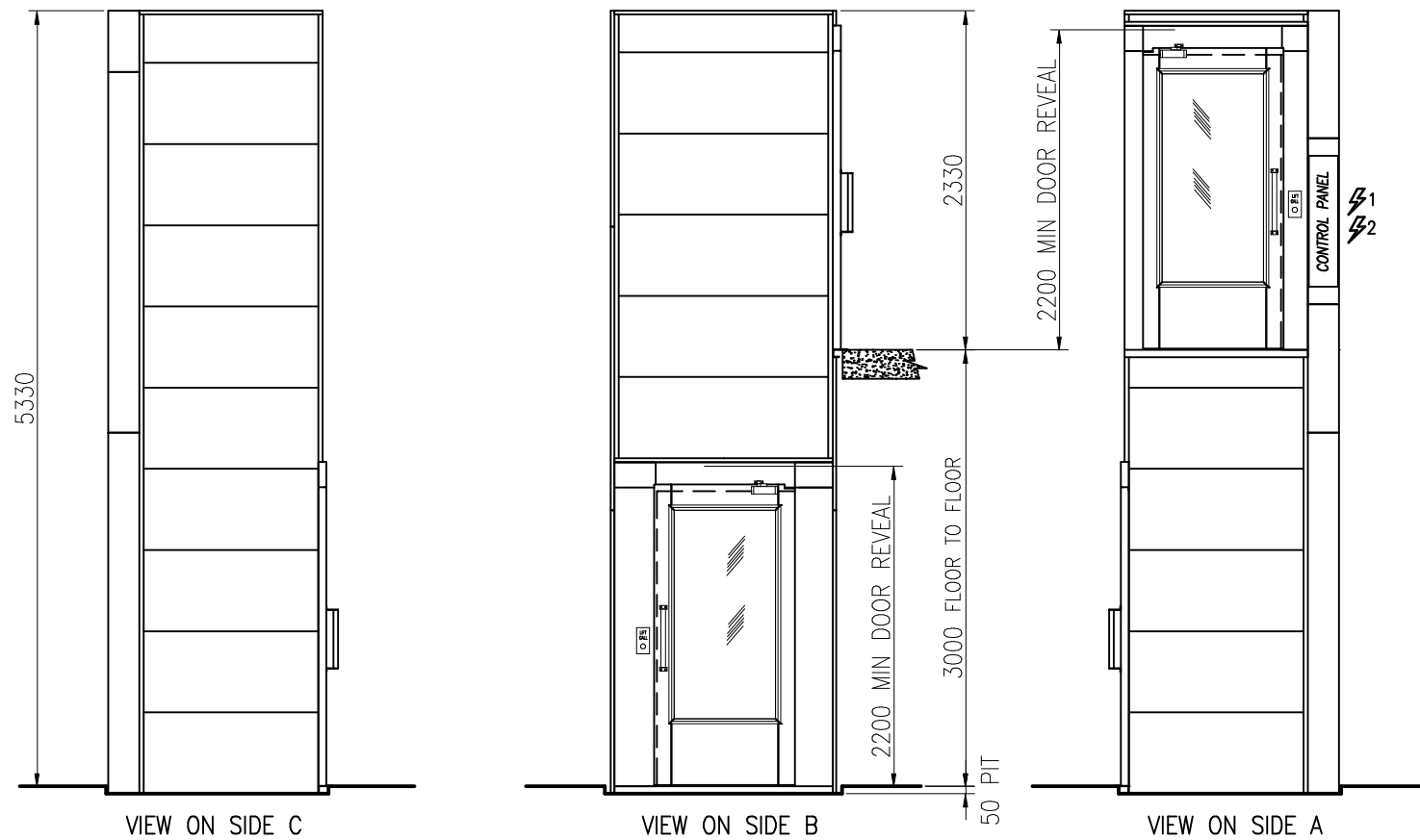
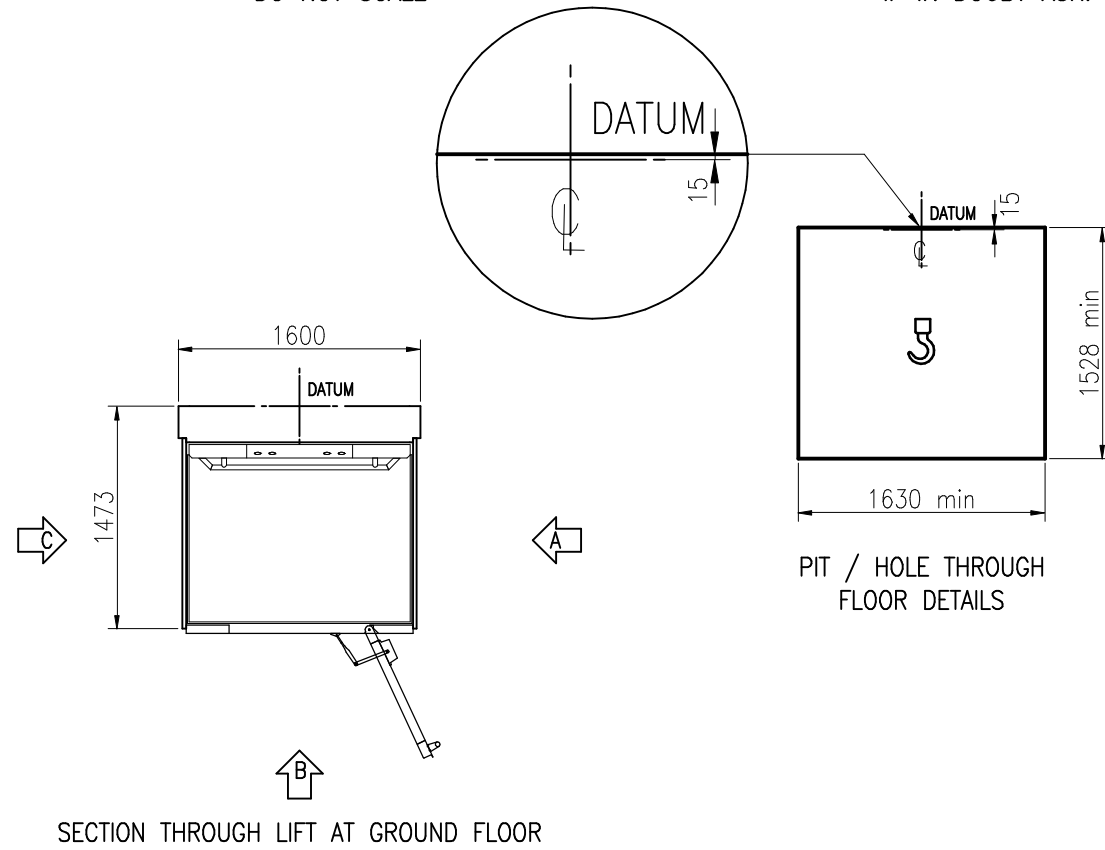


ALL DIM. ARE IN mm

DO NOT SCALE

IF IN DOUBT ASK!



SPECIFICATION		OPTIONS AVAILABLE																																	
VERTICAL PLATFORM LIFT FOR USE BY PERSONS WITH IMPAIRED MOBILITY ONLY LOADING TO 400kg, TWO PERSON OCCUPANCY WITH FULLY ENCLOSED SHAFT PLATFORM SIZE 1480mm x 1100mm		PIT SPLIT MAST POWERED DOOR ACTUATORS GLAZING SIDE A SIDE B SIDE C MAST CLADDING TO FLOOR REAR CLADDING PANELS CEILING WITH LIGHT FITTING																																	
ELECTRICAL REQUIREMENTS		POWERED EMERGENCY LOWERING																																	
⚡1	LIFT POWER SUPPLY 1 PHASE 230V 20A or 3 PHASE 415V 10A	STAINLESS STEEL DOOR HANDLES STAINLESS STEEL GRAB RAIL MAST SUPPORT BRACKETS KEY SWITCH DOOR CALL POINTS AUTODIALER VOICE ANNUNCIATION (PLATFORM)																																	
⚡2	CEILING LIGHT POWER SUPPLY 1 PHASE 230V 6A	INDUCTION LOOP SUPPLEMENTARY VISUAL ALARM AUDIBLE ANN. ON LANDING (GONG) VISUAL ANN. ON PLATFORM VISUAL ANN. ON LANDING EXTERNAL ROOF																																	
LIFTING BEAM / POINT REQUIREMENTS																																			
⚡	LIFTING BEAM / POINT REQUIRED RATED AT 500kg SWL																																		
<table border="1"> <tr> <td>A</td> <td>A.J.ROLLINGS 08 NOV 06</td> <td>ORIGINAL ISSUE</td> </tr> <tr> <td>ISSUE</td> <td>DRN./DATE</td> <td>CHANGE DETAILS</td> </tr> <tr> <td colspan="3">CLIENT</td> </tr> <tr> <td colspan="3">-</td> </tr> <tr> <td colspan="3">-</td> </tr> <tr> <td colspan="3">-</td> </tr> <tr> <td colspan="3">-</td> </tr> <tr> <td colspan="3">TITLE</td> </tr> <tr> <td colspan="3">VERTICAL LIFTING PLATFORM TYPICAL LAYOUT DRAWING GROUND FLOOR ADJACENT DOOR</td> </tr> <tr> <td colspan="2">CONTRACT NO: -</td> <td>ORIGINAL SCALE: 1:50</td> </tr> <tr> <td colspan="2">DRAWING NO: K-TYP03</td> <td></td> </tr> </table>		A	A.J.ROLLINGS 08 NOV 06	ORIGINAL ISSUE	ISSUE	DRN./DATE	CHANGE DETAILS	CLIENT			-			-			-			-			TITLE			VERTICAL LIFTING PLATFORM TYPICAL LAYOUT DRAWING GROUND FLOOR ADJACENT DOOR			CONTRACT NO: -		ORIGINAL SCALE: 1:50	DRAWING NO: K-TYP03			
A	A.J.ROLLINGS 08 NOV 06	ORIGINAL ISSUE																																	
ISSUE	DRN./DATE	CHANGE DETAILS																																	
CLIENT																																			
-																																			
-																																			
-																																			
-																																			
TITLE																																			
VERTICAL LIFTING PLATFORM TYPICAL LAYOUT DRAWING GROUND FLOOR ADJACENT DOOR																																			
CONTRACT NO: -		ORIGINAL SCALE: 1:50																																	
DRAWING NO: K-TYP03																																			
DRAWING APPROVAL																																			
DRAWING APPROVED BY DISTRIBUTOR																																			
SIGN..... NAME..... DATE .../.../...																																			
DRAWING APPROVED BY CLIENT																																			
SIGN..... NAME..... DATE .../.../...																																			
		HARRY DALBY ENGINEERING LTD GLOUCESTER CRESCENT WIGSTON LEICESTER LE18 4YQ TEL: 0116 291 6000 FAX: 0116 291 6001																																	
		THIS DRAWING IS ISSUED SOLELY ON THE UNDERSTANDING THAT IT IS COPYRIGHT AND CONFIDENTIAL. IT MAY NOT BE USED OR REPRODUCED WITHOUT PRIOR WRITTEN CONSENT OF THE COMPANY																																	
		THIRD ANGLE PROJECTION																																	
		A3																																	