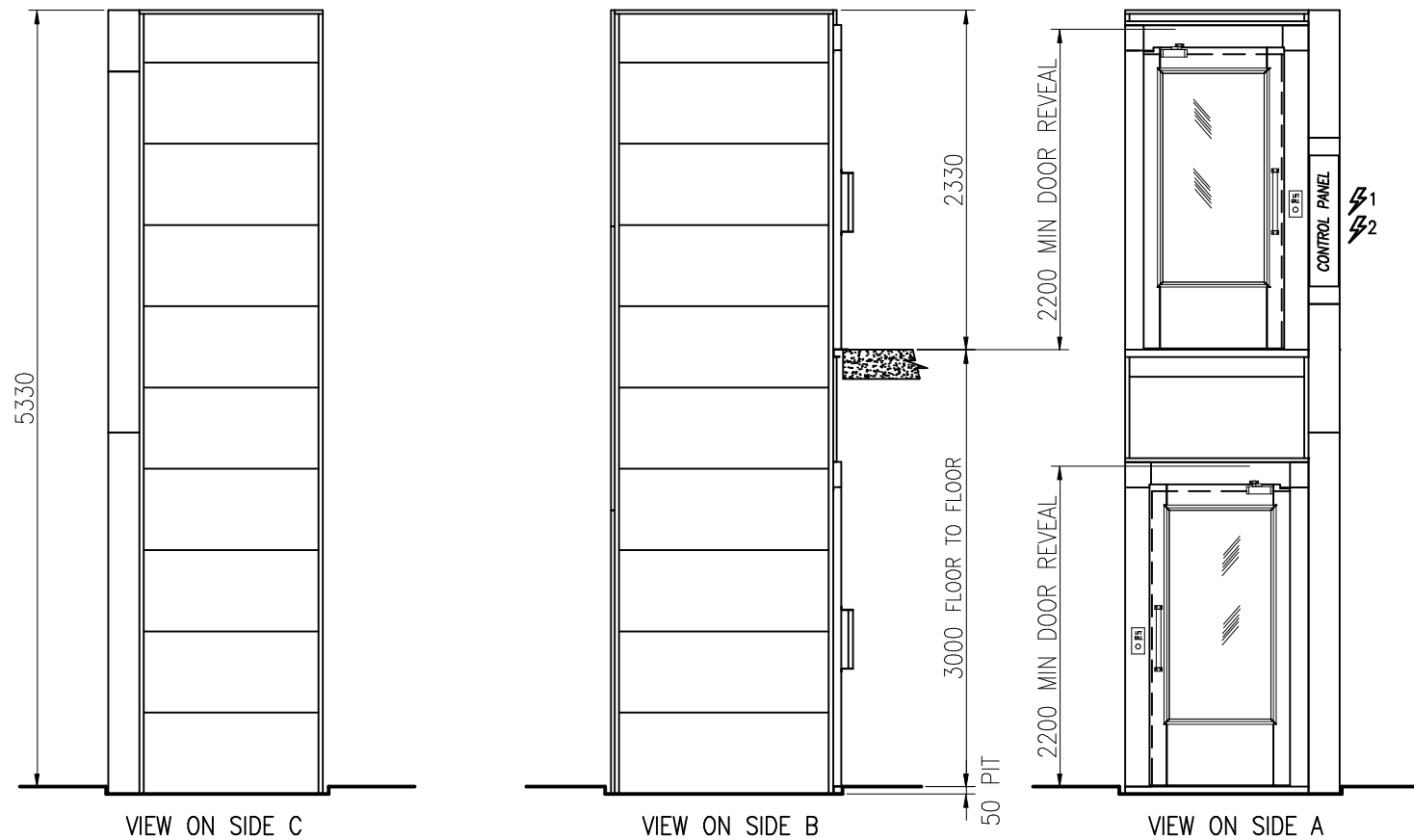
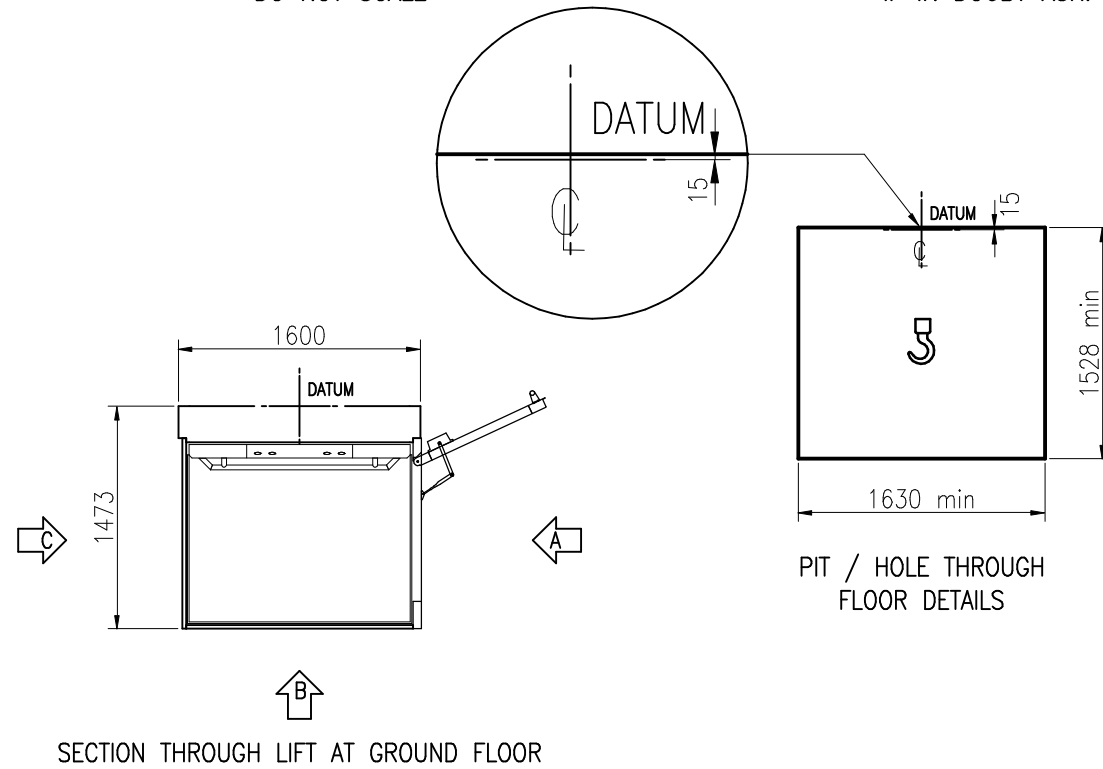


ALL DIM. ARE IN mm

DO NOT SCALE

IF IN DOUBT ASK!



SPECIFICATION		OPTIONS AVAILABLE
VERTICAL PLATFORM LIFT FOR USE BY PERSONS WITH IMPAIRED MOBILITY ONLY LOADING TO 400kg, TWO PERSON OCCUPANCY WITH FULLY ENCLOSED SHAFT PLATFORM SIZE 1480mm x 1100mm		PIT SPLIT MAST POWERED DOOR ACTUATORS GLAZING SIDE A SIDE B SIDE C MAST CLADDING TO FLOOR REAR CLADDING PANELS CEILING WITH LIGHT FITTING
ELECTRICAL REQUIREMENTS		POWERED EMERGENCY LOWERING
⚡1	LIFT POWER SUPPLY 1 PHASE 230V 20A or 3 PHASE 415V 10A	STAINLESS STEEL DOOR HANDLES
⚡2	CEILING LIGHT POWER SUPPLY 1 PHASE 230V 6A	STAINLESS STEEL GRAB RAIL
LIFTING BEAM / POINT REQUIREMENTS		MAST SUPPORT BRACKETS
⚡	LIFTING BEAM / POINT REQUIRED RATED AT 500kg SWL	KEY SWITCH DOOR CALL POINTS
		AUTODIALER
		VOICE ANNUNCIATION (PLATFORM)
		INDUCTION LOOP
		SUPPLEMENTARY VISUAL ALARM
		AUDIBLE ANN. ON LANDING (GONG)
		VISUAL ANN. ON PLATFORM
		VISUAL ANN. ON LANDING
		EXTERNAL ROOF
A	A.J.ROLLINGS 07 NOV 06	ORIGINAL ISSUE
ISSUE	DRN./DATE	CHANGE DETAILS
CLIENT		
-		
-		
-		
-		
TITLE		
VERTICAL LIFTING PLATFORM TYPICAL LAYOUT DRAWING DOORS SAME SIDE		
CONTRACT NO:	-	ORIGINAL SCALE: 1:50
DRAWING NO:	K-TYP02	
<h1>Dalby</h1>		
DRAWING APPROVAL		
DRAWING APPROVED BY DISTRIBUTOR		
SIGN..... NAME..... DATE .../.../...		
DRAWING APPROVED BY CLIENT		
SIGN..... NAME..... DATE .../.../...		
THIS DRAWING IS ISSUED SOLELY ON THE UNDERSTANDING THAT IT IS COPYRIGHT AND CONFIDENTIAL. IT MAY NOT BE USED OR REPRODUCED WITHOUT PRIOR WRITTEN CONSENT OF THE COMPANY		
		THIRD ANGLE PROJECTION
		A3

HARRY DALBY ENGINEERING LTD
GLOUCESTER CRESCENT WIGSTON LEICESTER LE18 4YQ
TEL: 0116 291 6000 FAX: 0116 291 6001