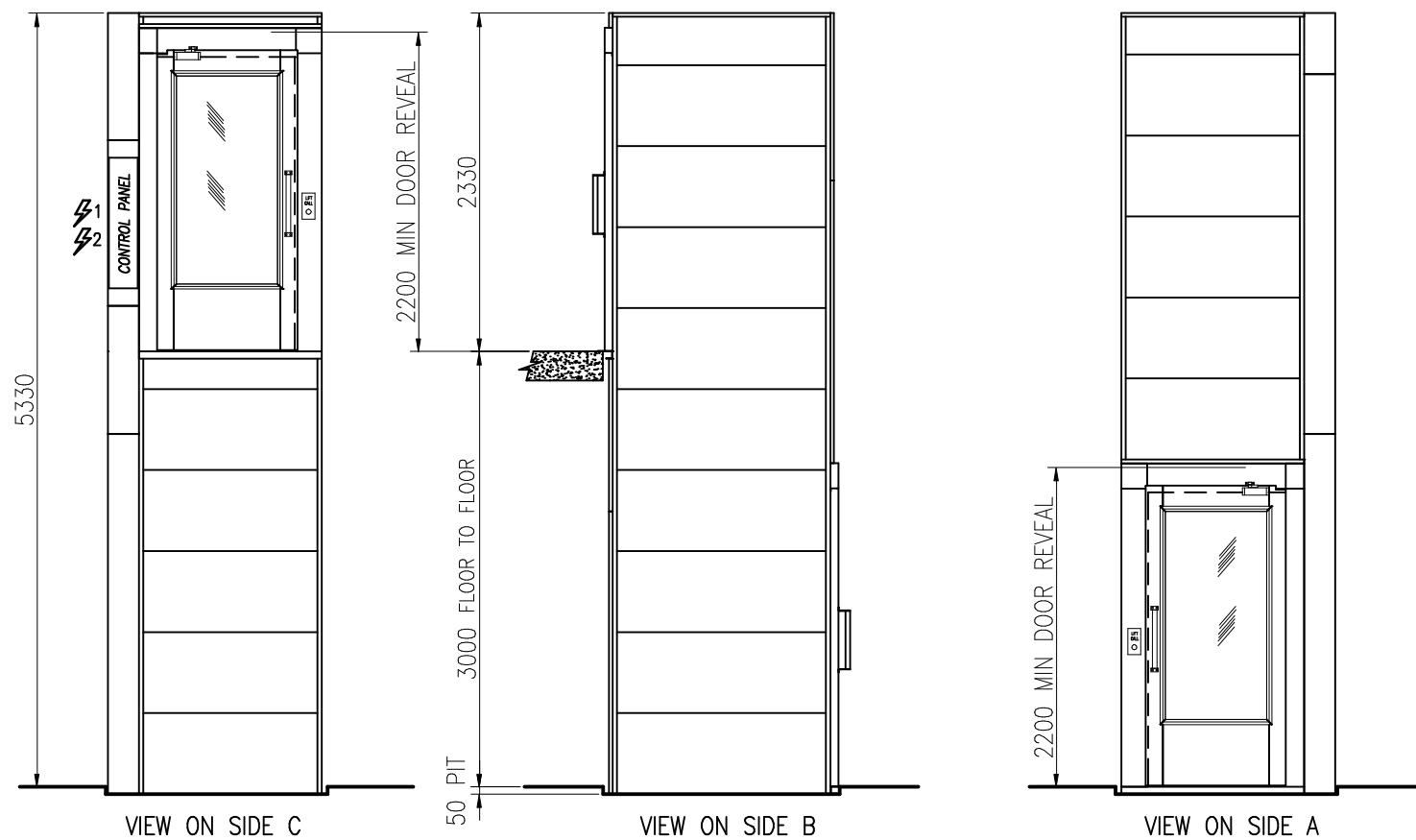
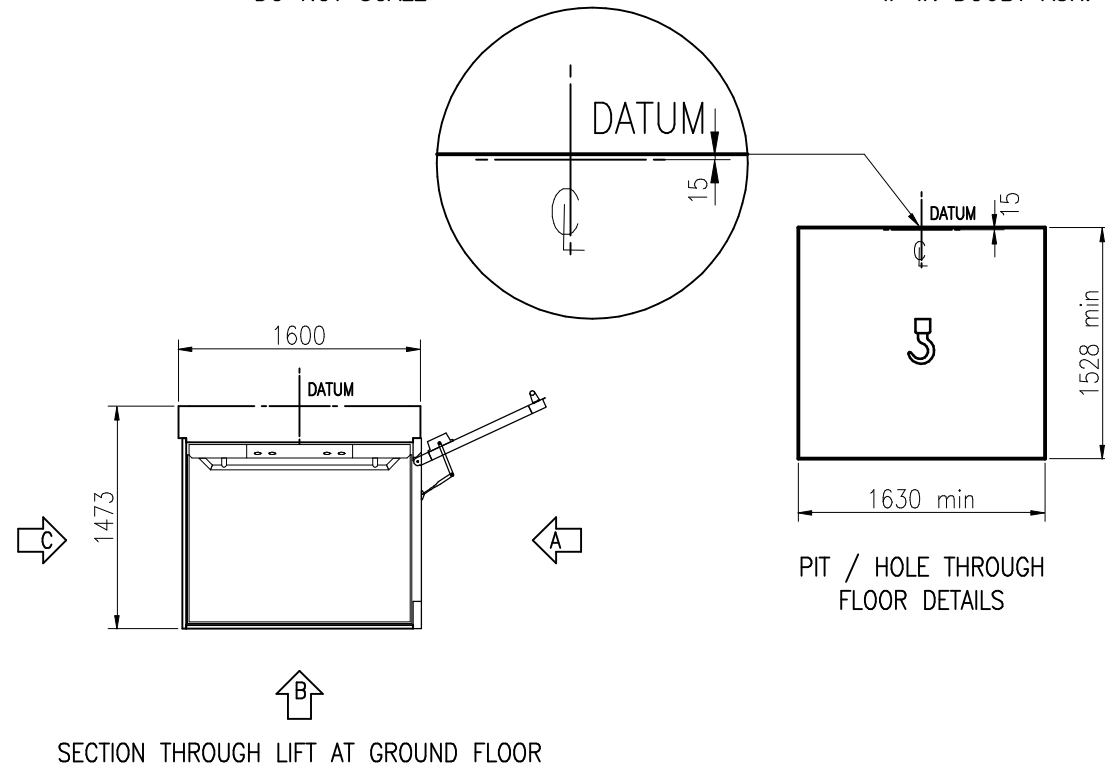


ALL DIM. ARE IN mm

DO NOT SCALE

IF IN DOUBT ASK!



SPECIFICATION		OPTIONS AVAILABLE	
VERTICAL PLATFORM LIFT FOR USE BY PERSONS WITH IMPAIRED MOBILITY ONLY LOADING TO 400kg, TWO PERSON OCCUPANCY WITH FULLY ENCLOSED SHAFT PLATFORM SIZE 1480mm x 1100mm		PIT	
		SPLIT MAST	
		POWERED DOOR ACTUATORS	
		GLAZING	
		SIDE A	
		SIDE B	
		SIDE C	
		MAST CLADDING TO FLOOR	
		REAR CLADDING PANELS	
		CEILING WITH LIGHT FITTING	
ELECTRICAL REQUIREMENTS		POWERED EMERGENCY LOWERING	
⚡1	LIFT POWER SUPPLY 1 PHASE 230V 20A or 3 PHASE 415V 10A	STAINLESS STEEL DOOR HANDLES	
		STAINLESS STEEL GRAB RAIL	
		MAST SUPPORT BRACKETS	
		KEY SWITCH DOOR CALL POINTS	
		AUTODIALER	
		VOICE ANNUNCIATION (PLATFORM)	
⚡2	CEILING LIGHT POWER SUPPLY 1 PHASE 230V 6A	INDUCTION LOOP	
LIFTING BEAM / POINT REQUIREMENTS		SUPPLEMENTARY VISUAL ALARM	
⚡	LIFTING BEAM / POINT REQUIRED RATED AT 500kg SWL	AUDIBLE ANN. ON LANDING (GONG)	
		VISUAL ANN. ON PLATFORM	
		VISUAL ANN. ON LANDING	
		EXTERNAL ROOF	
		A A.J.ROLLINGS 07 NOV 06 ORIGINAL ISSUE	
		ISSUE DRN./DATE CHANGE DETAILS	
		CLIENT	
		-	
		-	
		-	
		-	
		TITLE	
		VERTICAL LIFTING PLATFORM TYPICAL LAYOUT DRAWING THROUGH DOORS	
		CONTRACT NO: - ORIGINAL SCALE: 1:50	
		DRAWING NO: K-TYP01	
		<h1>Dalby</h1>	
		DRAWING APPROVAL	
		DRAWING APPROVED BY DISTRIBUTOR	
		SIGN..... NAME..... DATE .../.../...	
		DRAWING APPROVED BY CLIENT	
		SIGN..... NAME..... DATE .../.../...	
		HARRY DALBY ENGINEERING LTD GLOUCESTER CRESCENT WIGSTON LEICESTER LE18 4YQ TEL: 0116 291 6000 FAX: 0116 291 6001	
		THIS DRAWING IS ISSUED SOLELY ON THE UNDERSTANDING THAT IT IS COPYRIGHT AND CONFIDENTIAL. IT MAY NOT BE USED OR REPRODUCED WITHOUT PRIOR WRITTEN CONSENT OF THE COMPANY	
		⊕ THIRD ANGLE PROJECTION A3	