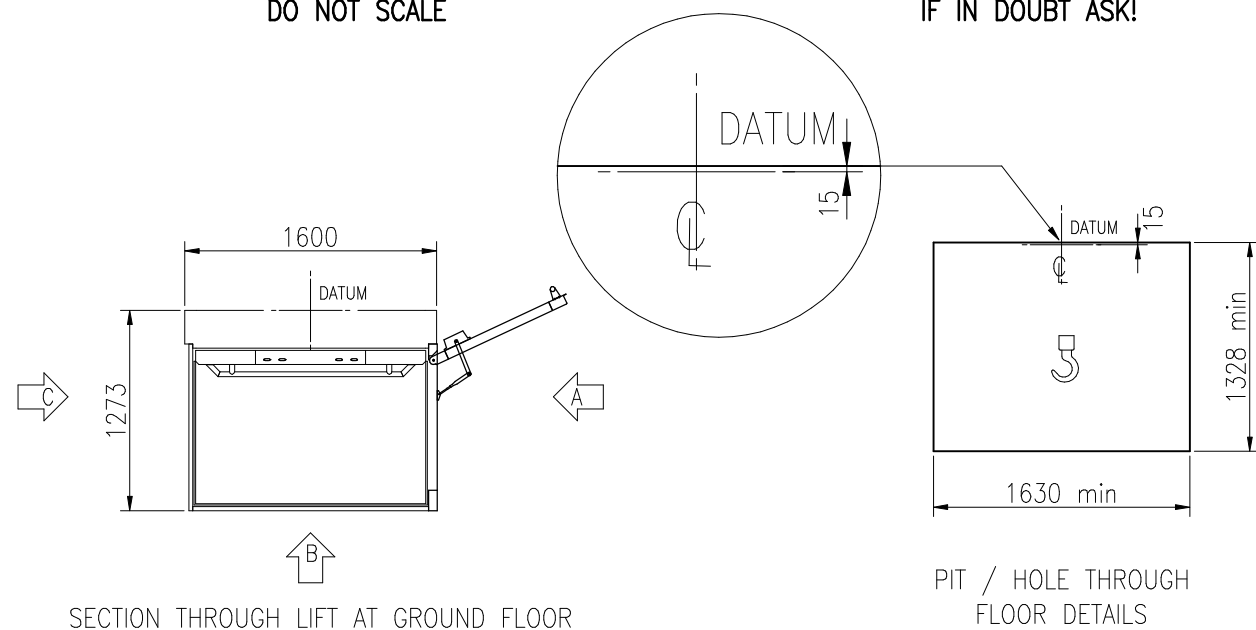


ALL DIM. ARE IN mm

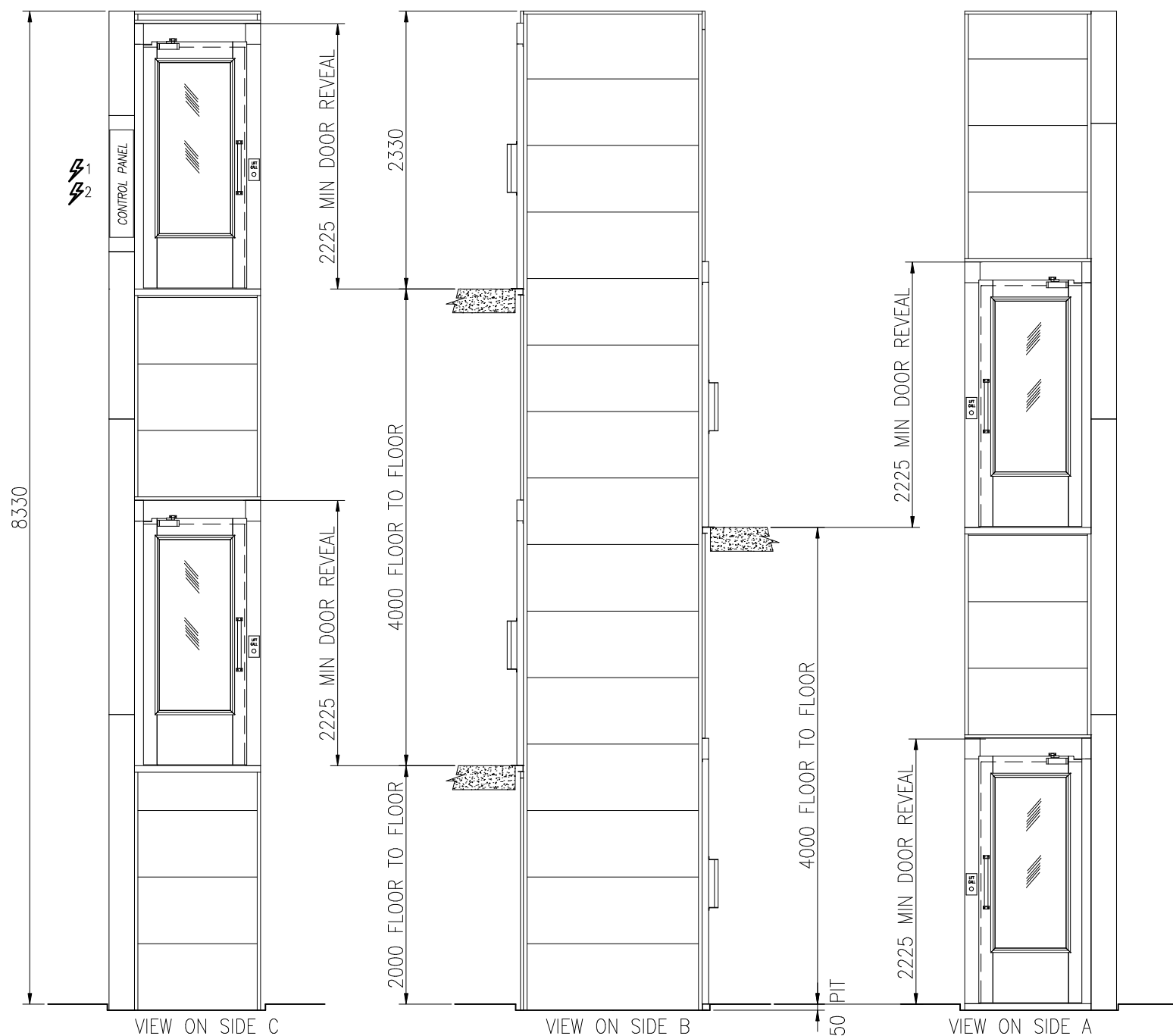
DO NOT SCALE

IF IN DOUBT ASK!



SECTION THROUGH LIFT AT GROUND FLOOR

PIT / HOLE THROUGH FLOOR DETAILS



VIEW ON SIDE C

VIEW ON SIDE B

VIEW ON SIDE A

| SPECIFICATION | | OPTIONS AVAILABLE | | | | | | | | | | | | | | | | | | | | | | | | | | | | | | | | | |
|--|--|--|----------------------------|----------------|-------|-----------|----------------|--------|--|--|---|--|--|---|--|--|---|--|--|---|--|--|-------|--|--|--|--|--|--------------|---|----------------------|-------------|---------|--|--------|
| VERTICAL PLATFORM LIFT FOR USE BY PERSONS WITH IMPAIRED MOBILITY ONLY LOADING TO 400kg, TWO PERSON OCCUPANCY WITH FULLY ENCLOSED SHAFT PLATFORM SIZE 1480mm x 900mm | | KEY SWITCH DOOR CALL POINTS KEY ISOLATE DOOR CALL POINTS STAINLESS STEEL DOOR HANDLES PIT SPLIT MAST POWERED DOOR ACTUATORS REAR CLADDING PANELS STAINLESS STEEL GRAB RAIL MAST SUPPORT BRACKETS FOLD DOWN PLATFORM SEAT | | | | | | | | | | | | | | | | | | | | | | | | | | | | | | | | | |
| ELECTRICAL REQUIREMENTS | | AUTODIALER | | | | | | | | | | | | | | | | | | | | | | | | | | | | | | | | | |
| ⚡ ₁ | LIFT POWER SUPPLY 1 PHASE 230V 20A or 3 PHASE 415V 10A | PLATFORM AUDIBLE / VISUAL ANN. | | | | | | | | | | | | | | | | | | | | | | | | | | | | | | | | | |
| ⚡ ₂ | CEILING LIGHT POWER SUPPLY 1 PHASE 230V 6A | INDUCTION LOOP | | | | | | | | | | | | | | | | | | | | | | | | | | | | | | | | | |
| LIFTING BEAM / POINT REQUIREMENTS ⚙️ LIFTING BEAM / POINT REQUIRED RATED AT 500kg SWL | | AUDIBLE ANN. ON LANDING | | | | | | | | | | | | | | | | | | | | | | | | | | | | | | | | | |
| | | VISUAL ANN. ON LANDING | | | | | | | | | | | | | | | | | | | | | | | | | | | | | | | | | |
| OTHER NOTES 900mm WIDE PLATFORM DOOR OPENING WIDTH IS 830mm | | SUPPLEMENTARY VISUAL ALARM | | | | | | | | | | | | | | | | | | | | | | | | | | | | | | | | | |
| | | GLAZING | | | | | | | | | | | | | | | | | | | | | | | | | | | | | | | | | |
| | | SIDE A | | | | | | | | | | | | | | | | | | | | | | | | | | | | | | | | | |
| <table border="1"> <tr> <td>A</td> <td>J.J.SELFRIDGE 21 APR 09</td> <td>ORIGINAL ISSUE</td> </tr> <tr> <td>ISSUE</td> <td>DRN./DATE</td> <td>CHANGE DETAILS</td> </tr> <tr> <td colspan="3">CLIENT</td> </tr> <tr> <td colspan="3">-</td> </tr> <tr> <td colspan="3">-</td> </tr> <tr> <td colspan="3">-</td> </tr> <tr> <td colspan="3">-</td> </tr> <tr> <td colspan="3">TITLE</td> </tr> <tr> <td colspan="3"> VERTICAL LIFTING PLATFORM TYPICAL LAYOUT DRAWING 4 FLOOR EXAMPLE 900 PLATFORM </td> </tr> <tr> <td>CONTRACT NO:</td> <td>-</td> <td>ORIGINAL SCALE: 1:50</td> </tr> <tr> <td>DRAWING NO:</td> <td colspan="2">K-TYP24</td> </tr> </table> | | A | J.J.SELFRIDGE 21 APR 09 | ORIGINAL ISSUE | ISSUE | DRN./DATE | CHANGE DETAILS | CLIENT | | | - | | | - | | | - | | | - | | | TITLE | | | VERTICAL LIFTING PLATFORM TYPICAL LAYOUT DRAWING 4 FLOOR EXAMPLE 900 PLATFORM | | | CONTRACT NO: | - | ORIGINAL SCALE: 1:50 | DRAWING NO: | K-TYP24 | | SIDE B |
| | | A | J.J.SELFRIDGE 21 APR 09 | ORIGINAL ISSUE | | | | | | | | | | | | | | | | | | | | | | | | | | | | | | | |
| | | ISSUE | DRN./DATE | CHANGE DETAILS | | | | | | | | | | | | | | | | | | | | | | | | | | | | | | | |
| CLIENT | | | | | | | | | | | | | | | | | | | | | | | | | | | | | | | | | | | |
| - | | | | | | | | | | | | | | | | | | | | | | | | | | | | | | | | | | | |
| - | | | | | | | | | | | | | | | | | | | | | | | | | | | | | | | | | | | |
| - | | | | | | | | | | | | | | | | | | | | | | | | | | | | | | | | | | | |
| - | | | | | | | | | | | | | | | | | | | | | | | | | | | | | | | | | | | |
| TITLE | | | | | | | | | | | | | | | | | | | | | | | | | | | | | | | | | | | |
| VERTICAL LIFTING PLATFORM TYPICAL LAYOUT DRAWING 4 FLOOR EXAMPLE 900 PLATFORM | | | | | | | | | | | | | | | | | | | | | | | | | | | | | | | | | | | |
| CONTRACT NO: | - | ORIGINAL SCALE: 1:50 | | | | | | | | | | | | | | | | | | | | | | | | | | | | | | | | | |
| DRAWING NO: | K-TYP24 | | | | | | | | | | | | | | | | | | | | | | | | | | | | | | | | | | |
| SIDE C | | | | | | | | | | | | | | | | | | | | | | | | | | | | | | | | | | | |
| DRAWING APPROVAL DRAWING APPROVED BY DISTRIBUTOR SIGN..... NAME..... DATE .../.../... ----- DRAWING APPROVED BY CLIENT SIGN..... NAME..... DATE .../.../... | | <h1>Dalby</h1> <p>HARRY DALBY ENGINEERING LTD GLOUCESTER CRESCENT WIGSTON LEICESTER LE18 4YQ TEL: 0116 291 6000 FAX: 0116 291 6001</p> <p>THIS DRAWING IS ISSUED SOLELY ON THE UNDERSTANDING THAT IT IS COPYRIGHT AND CONFIDENTIAL. IT MAY NOT BE USED OR REPRODUCED WITHOUT PRIOR WRITTEN CONSENT OF THE COMPANY</p> | | | | | | | | | | | | | | | | | | | | | | | | | | | | | | | | | |
| <table border="0"> <tr> <td>⊕</td> <td>THIRD ANGLE PROJECTION</td> <td>A3</td> </tr> </table> | | ⊕ | THIRD ANGLE PROJECTION | A3 | | | | | | | | | | | | | | | | | | | | | | | | | | | | | | | |
| ⊕ | THIRD ANGLE PROJECTION | A3 | | | | | | | | | | | | | | | | | | | | | | | | | | | | | | | | | |