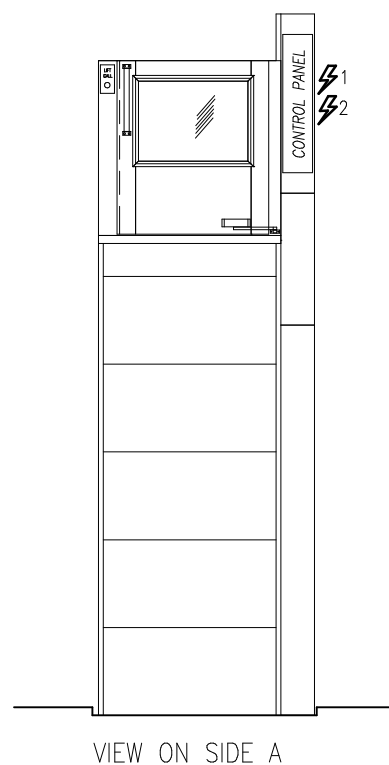
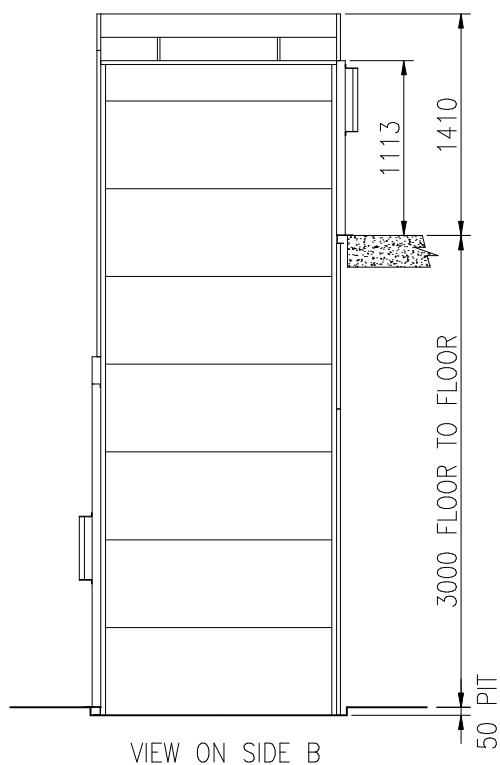
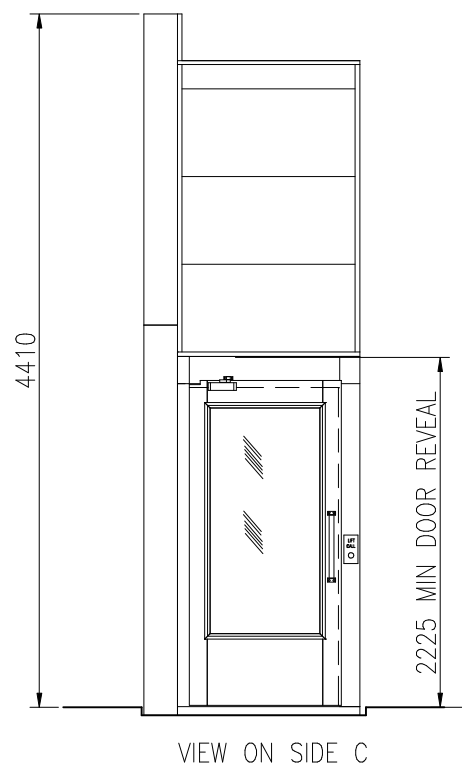
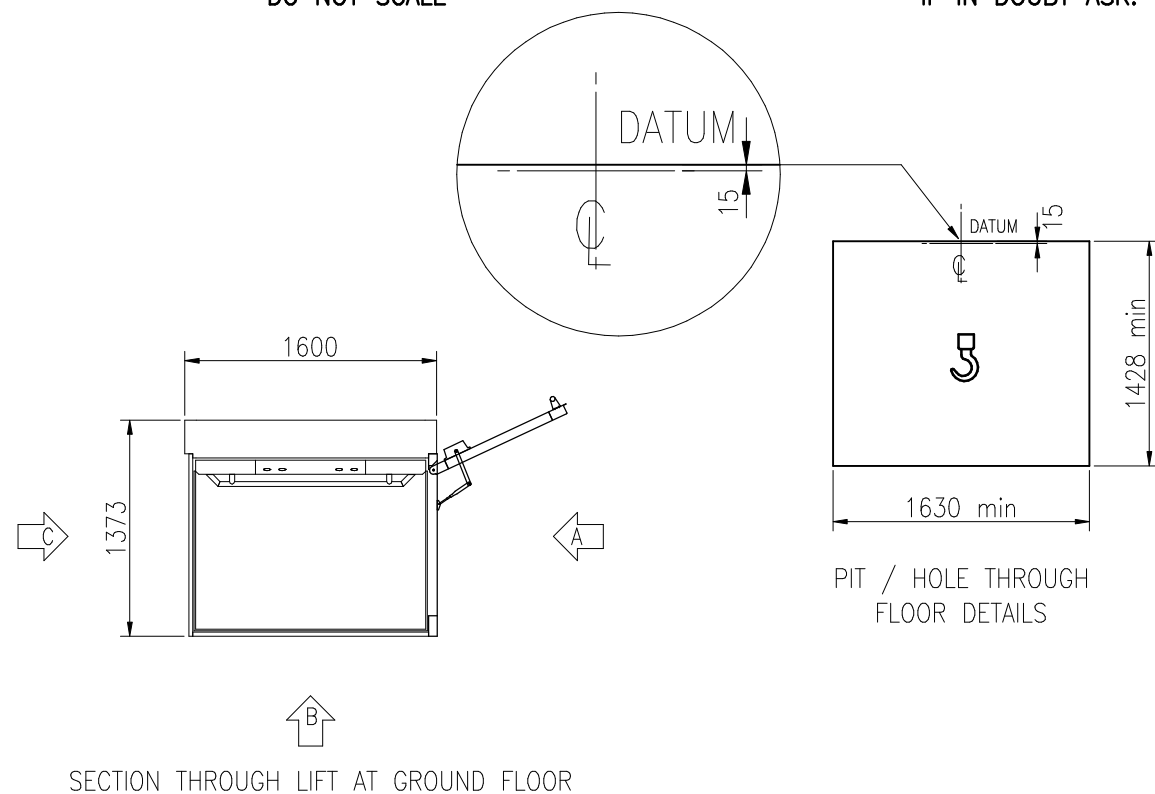


ALL DIM. ARE IN mm

DO NOT SCALE

IF IN DOUBT ASK!



SPECIFICATION		OPTIONS AVAILABLE									
VERTICAL PLATFORM LIFT FOR USE BY PERSONS WITH IMPAIRED MOBILITY ONLY LOADING TO 400kg, TWO PERSON OCCUPANCY WITH FULLY ENCLOSED SHAFT PLATFORM SIZE 1480mm x 1000mm		KEY SWITCH DOOR CALL POINTS KEY ISOLATE DOOR CALL POINTS STAINLESS STEEL DOOR HANDLES PIT SPLIT MAST POWERED DOOR ACTUATORS REAR CLADDING PANELS STAINLESS STEEL GRAB RAIL MAST SUPPORT BRACKETS FOLD DOWN PLATFORM SEAT									
ELECTRICAL REQUIREMENTS		AUTODIALER									
⚡1 LIFT POWER SUPPLY 1 PHASE 230V 20A or 3 PHASE 415V 10A  ⚡2 CEILING LIGHT POWER SUPPLY 1 PHASE 230V 6A	PLATFORM AUDIBLE / VISUAL ANN.										
	INDUCTION LOOP										
LIFTING BEAM / POINT REQUIREMENTS		AUDIBLE ANN. ON LANDING									
		VISUAL ANN. ON LANDING									
⚡ LIFTING BEAM / POINT REQUIRED RATED AT 500kg SWL		SUPPLEMENTARY VISUAL ALARM									
		GLAZING									
		SIDE A									
		SIDE B									
		SIDE C									
		<table border="1"> <tr> <td>A</td> <td>J.J.SELFRIDGE 20 APR 09</td> <td colspan="2">ORIGINAL ISSUE</td> </tr> <tr> <td>ISSUE</td> <td>DRN./DATE</td> <td colspan="2">CHANGE DETAILS</td> </tr> </table>		A	J.J.SELFRIDGE 20 APR 09	ORIGINAL ISSUE		ISSUE	DRN./DATE	CHANGE DETAILS	
A	J.J.SELFRIDGE 20 APR 09	ORIGINAL ISSUE									
ISSUE	DRN./DATE	CHANGE DETAILS									
CLIENT		-									
TITLE		VERTICAL LIFTING PLATFORM TYPICAL LAYOUT DRAWING HALF DOOR THROUGH CAR 1000 PLATFORM									
CONTRACT NO:		-	ORIGINAL SCALE: 1:50								
DRAWING NO:		K-TYP14									
DRAWING APPROVAL		<h1>Dalby</h1>									
				<b>HARRY DALBY ENGINEERING LTD</b> GLOUCESTER CRESCENT WIGSTON LEICESTER LE18 4YQ TEL: 0116 291 6000 FAX: 0116 291 6001							
DRAWING APPROVED BY DISTRIBUTOR		THIS DRAWING IS ISSUED SOLELY ON THE UNDERSTANDING THAT IT IS COPYRIGHT AND CONFIDENTIAL. IT MAY NOT BE USED OR REPRODUCED WITHOUT PRIOR WRITTEN CONSENT OF THE COMPANY									
SIGN..... NAME..... DATE .../.../...											
DRAWING APPROVED BY CLIENT		Ⓢ THIRD ANGLE PROJECTION									
SIGN..... NAME..... DATE .../.../...											

A3