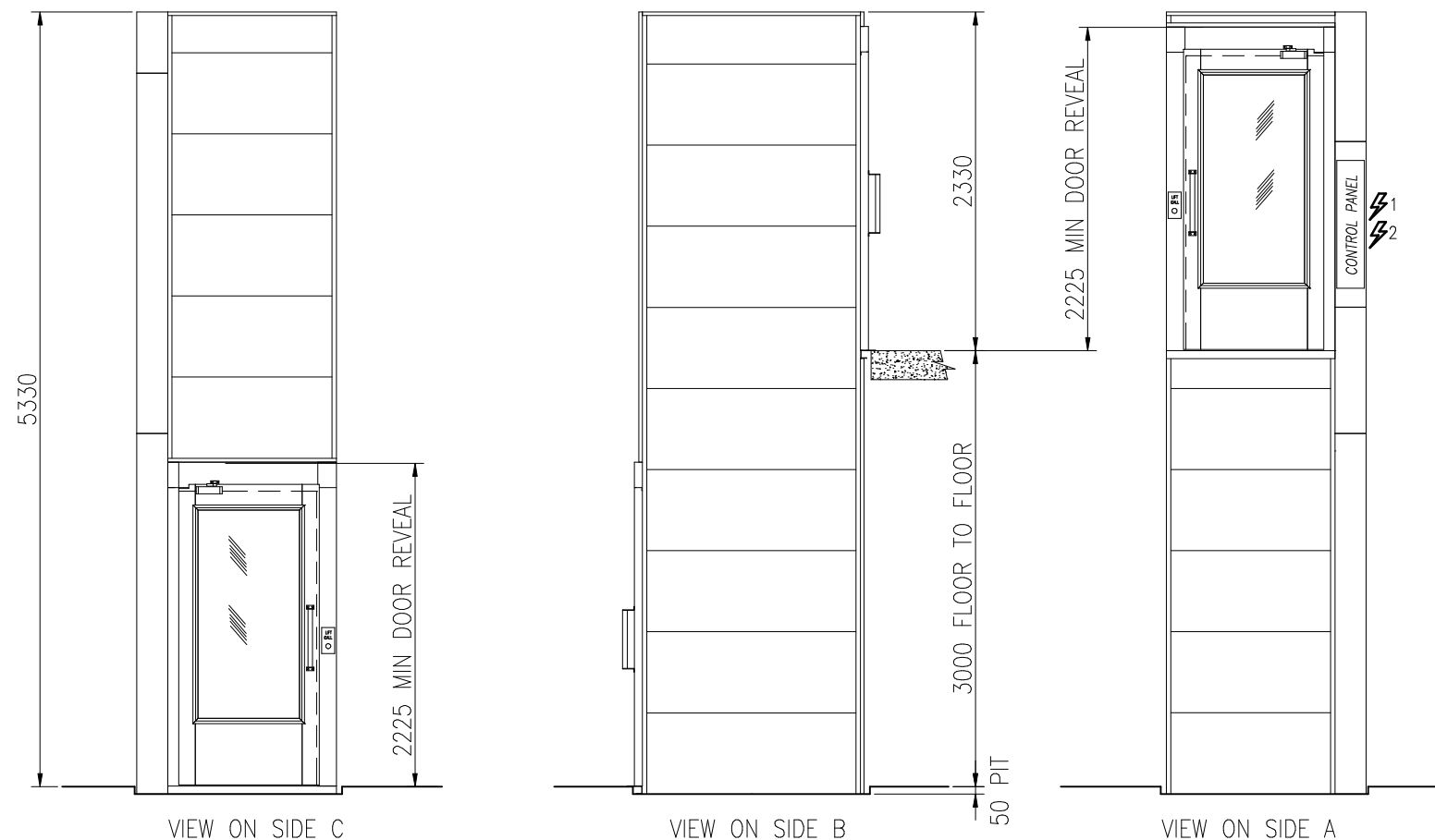
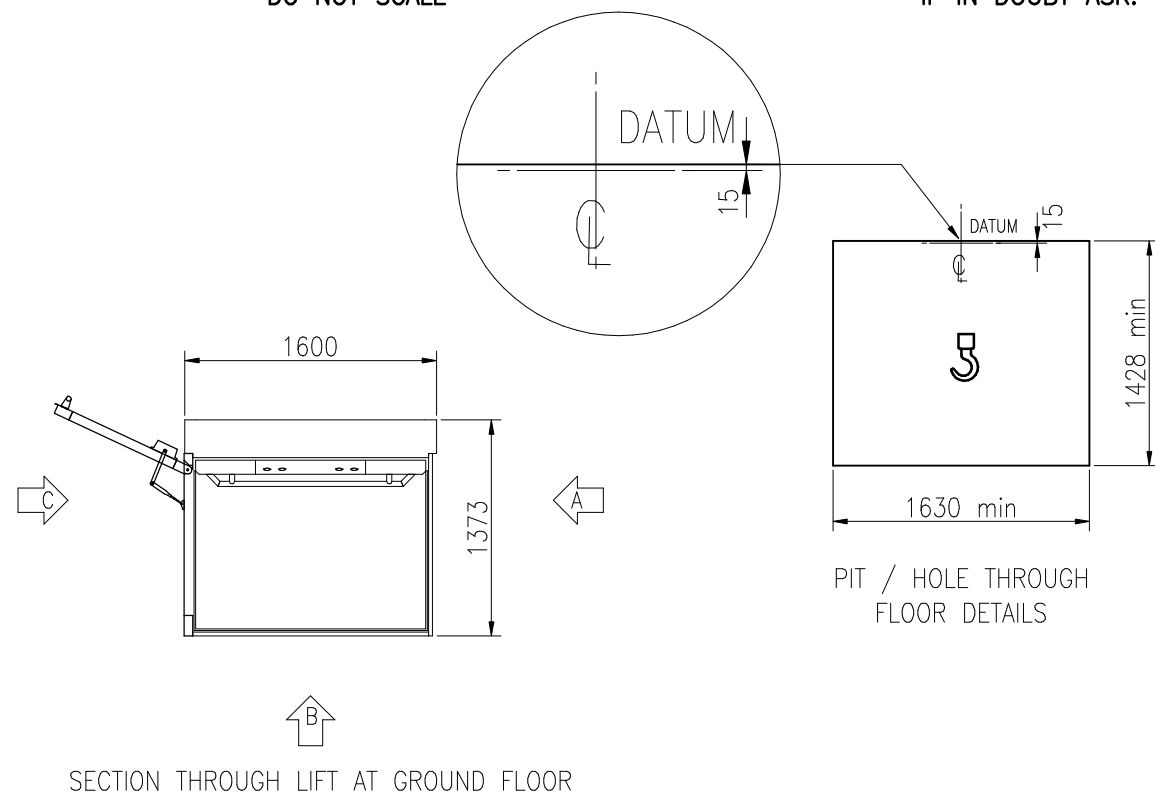


ALL DIM. ARE IN mm

DO NOT SCALE

IF IN DOUBT ASK!



SPECIFICATION

VERTICAL PLATFORM LIFT
FOR USE BY PERSONS WITH IMPAIRED MOBILITY ONLY
LOADING TO 400kg, TWO PERSON OCCUPANCY
WITH FULLY ENCLOSED SHAFT
PLATFORM SIZE 1480mm x 1000mm

ELECTRICAL REQUIREMENTS

- ⚡₁ LIFT POWER SUPPLY
1 PHASE 230V 20A or
3 PHASE 415V 10A
- ⚡₂ CEILING LIGHT POWER SUPPLY
1 PHASE 230V 6A

LIFTING BEAM / POINT REQUIREMENTS

⤴ LIFTING BEAM / POINT REQUIRED
RATED AT 500kg SWL

OPTIONS AVAILABLE

- KEY SWITCH DOOR CALL POINTS
- KEY ISOLATE DOOR CALL POINTS
- STAINLESS STEEL DOOR HANDLES
- PIT
- SPLIT MAST
- POWERED DOOR ACTUATORS
- REAR CLADDING PANELS
- STAINLESS STEEL GRAB RAIL
- MAST SUPPORT BRACKETS
- FOLD DOWN PLATFORM SEAT
- AUTODIALER
- PLATFORM AUDIBLE / VISUAL ANN.
- INDUCTION LOOP
- AUDIBLE ANN. ON LANDING
- VISUAL ANN. ON LANDING
- SUPPLEMENTARY VISUAL ALARM
- GLAZING
- SIDE A
- SIDE B
- SIDE C

A	J.J.SELFRIDGE	ORIGINAL ISSUE
	20 APR 09	
ISSUE	DRN./DATE	CHANGE DETAILS

CLIENT

-

-

-

-

TITLE

**VERTICAL LIFTING PLATFORM
TYPICAL LAYOUT DRAWING
THROUGH DOORS
1000 PLATFORM**

CONTRACT NO: - ORIGINAL SCALE: 1:50

DRAWING NO: K-TYP11

Dalby

HARRY DALBY ENGINEERING LTD
GLOUCESTER CRESCENT WIGSTON LEICESTER LE18 4YQ
TEL: 0116 291 6000 FAX: 0116 291 6001

THIS DRAWING IS ISSUED SOLELY ON THE UNDERSTANDING THAT IT IS COPYRIGHT AND CONFIDENTIAL. IT MAY NOT BE USED OR REPRODUCED WITHOUT PRIOR WRITTEN CONSENT OF THE COMPANY

DRAWING APPROVAL

DRAWING APPROVED BY DISTRIBUTOR

SIGN..... NAME..... DATE .../.../...

DRAWING APPROVED BY CLIENT

SIGN..... NAME..... DATE .../.../...

THIRD ANGLE PROJECTION A3