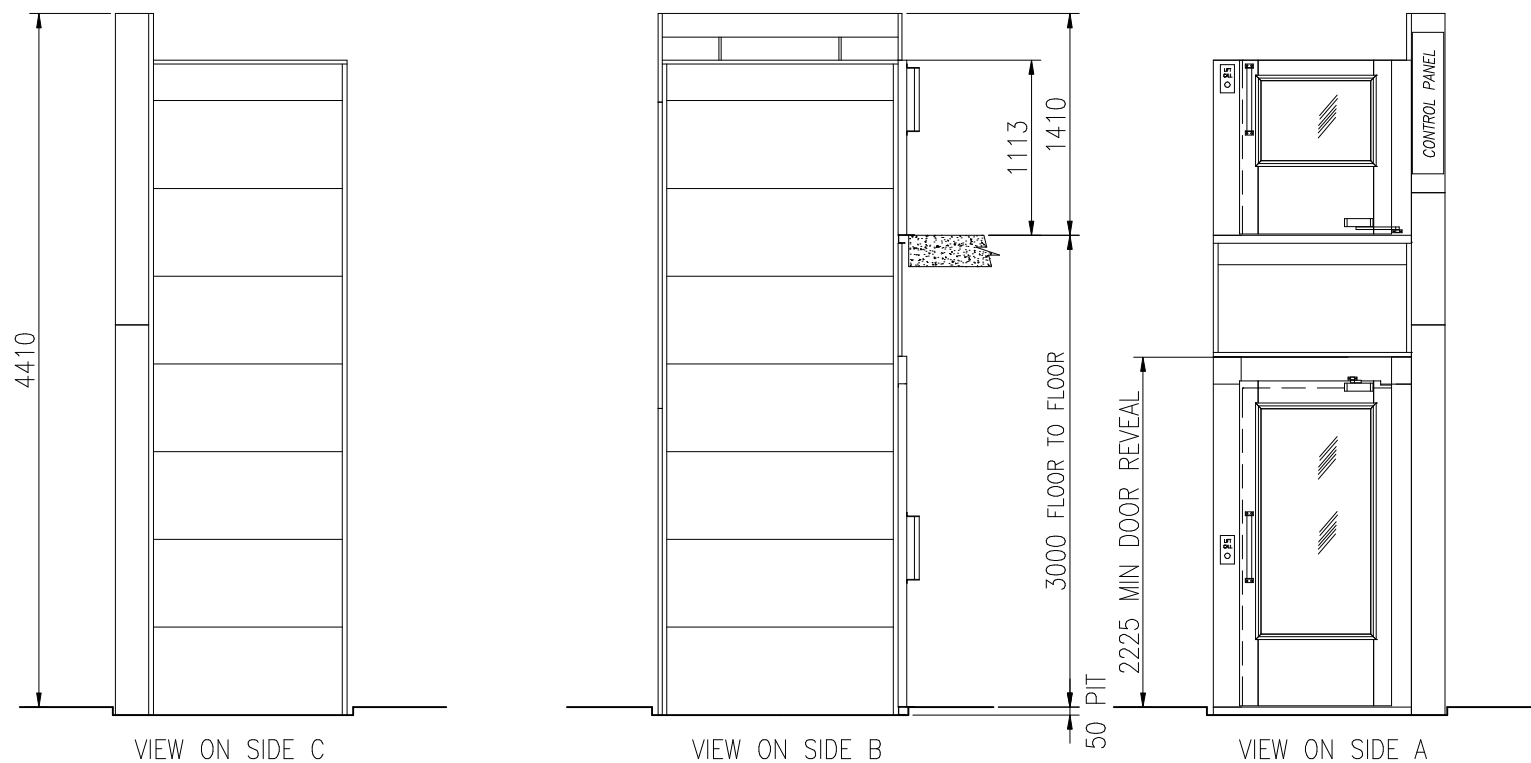
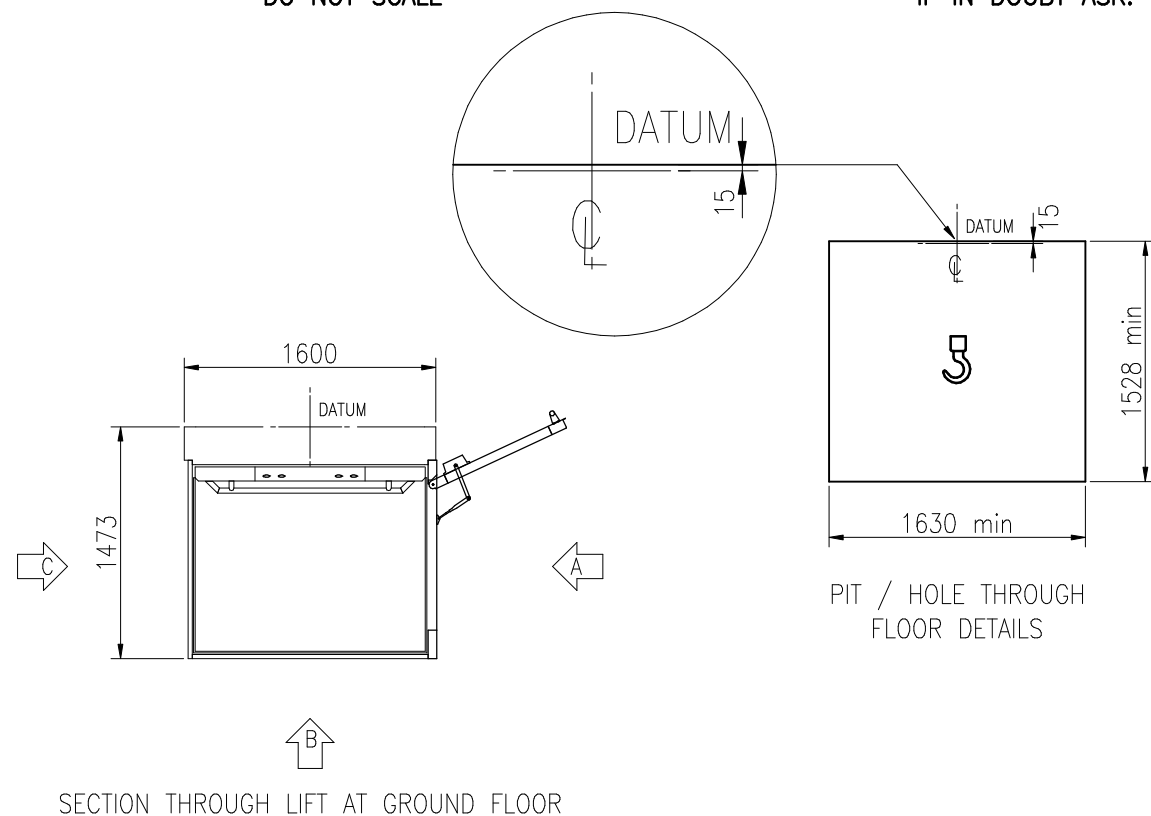


ALL DIM. ARE IN mm

DO NOT SCALE

IF IN DOUBT ASK!



| SPECIFICATION | | OPTIONS AVAILABLE | | | | | | | | | | |
|--|--|---|----------------------|---|----------------------------|------------------|---|---------------------------|----------------|-------|-----------|----------------|
| VERTICAL PLATFORM LIFT FOR USE BY PERSONS WITH IMPAIRED MOBILITY ONLY LOADING TO 400kg, TWO PERSON OCCUPANCY WITH FULLY ENCLOSED SHAFT PLATFORM SIZE 1480mm x 1100mm | | KEY SWITCH DOOR CALL POINTS KEY ISOLATE DOOR CALL POINTS STAINLESS STEEL DOOR HANDLES PIT SPLIT MAST POWERED DOOR ACTUATORS REAR CLADDING PANELS STAINLESS STEEL GRAB RAIL MAST SUPPORT BRACKETS FOLD DOWN PLATFORM SEAT | | | | | | | | | | |
| ELECTRICAL REQUIREMENTS | | AUTODIALER | | | | | | | | | | |
| ⚡ ₁ | LIFT POWER SUPPLY 1 PHASE 230V 20A or 3 PHASE 415V 10A | PLATFORM AUDIBLE / VISUAL ANN. | | | | | | | | | | |
| ⚡ ₂ | CEILING LIGHT POWER SUPPLY 1 PHASE 230V 6A | INDUCTION LOOP | | | | | | | | | | |
| LIFTING BEAM / POINT REQUIREMENTS | | AUDIBLE ANN. ON LANDING | | | | | | | | | | |
| ⚙ | LIFTING BEAM / POINT REQUIRED RATED AT 500kg SWL | VISUAL ANN. ON LANDING | | | | | | | | | | |
| | | SUPPLEMENTARY VISUAL ALARM | | | | | | | | | | |
| | | GLAZING | | | | | | | | | | |
| | | SIDE A | | | | | | | | | | |
| | | SIDE B | | | | | | | | | | |
| | | SIDE C | | | | | | | | | | |
| | | <table border="1"> <tr> <td>B</td> <td>J.J.SELFRIDGE 17 APR 09</td> <td>OPTIONS ADJUSTED</td> </tr> <tr> <td>A</td> <td>A.J.ROLLINGS 08 NOV 06</td> <td>ORIGINAL ISSUE</td> </tr> <tr> <td>ISSUE</td> <td>DRN./DATE</td> <td>CHANGE DETAILS</td> </tr> </table> | | B | J.J.SELFRIDGE 17 APR 09 | OPTIONS ADJUSTED | A | A.J.ROLLINGS 08 NOV 06 | ORIGINAL ISSUE | ISSUE | DRN./DATE | CHANGE DETAILS |
| B | J.J.SELFRIDGE 17 APR 09 | OPTIONS ADJUSTED | | | | | | | | | | |
| A | A.J.ROLLINGS 08 NOV 06 | ORIGINAL ISSUE | | | | | | | | | | |
| ISSUE | DRN./DATE | CHANGE DETAILS | | | | | | | | | | |
| CLIENT | | - | | | | | | | | | | |
| TITLE | | VERTICAL LIFTING PLATFORM TYPICAL LAYOUT DRAWING HALF DOOR 1100 | | | | | | | | | | |
| CONTRACT NO: | | - | ORIGINAL SCALE: 1:50 | | | | | | | | | |
| DRAWING NO: | | K-TYP06 | | | | | | | | | | |
| DRAWING APPROVAL | | | | | | | | | | | | |
| DRAWING APPROVED BY DISTRIBUTOR | | | | | | | | | | | | |
| SIGN..... NAME..... DATE .../.../... | | | | | | | | | | | | |
| DRAWING APPROVED BY CLIENT | | HARRY DALBY ENGINEERING LTD GLOUCESTER CRESCENT WIGSTON LEICESTER LE18 4YQ TEL: 0116 291 6000 FAX: 0116 291 6001 | | | | | | | | | | |
| SIGN..... NAME..... DATE .../.../... | | THIS DRAWING IS ISSUED SOLELY ON THE UNDERSTANDING THAT IT IS COPYRIGHT AND CONFIDENTIAL. IT MAY NOT BE USED OR REPRODUCED WITHOUT PRIOR WRITTEN CONSENT OF THE COMPANY | | | | | | | | | | |
| | | THIRD ANGLE PROJECTION | | | | | | | | | | |
| | | A3 | | | | | | | | | | |