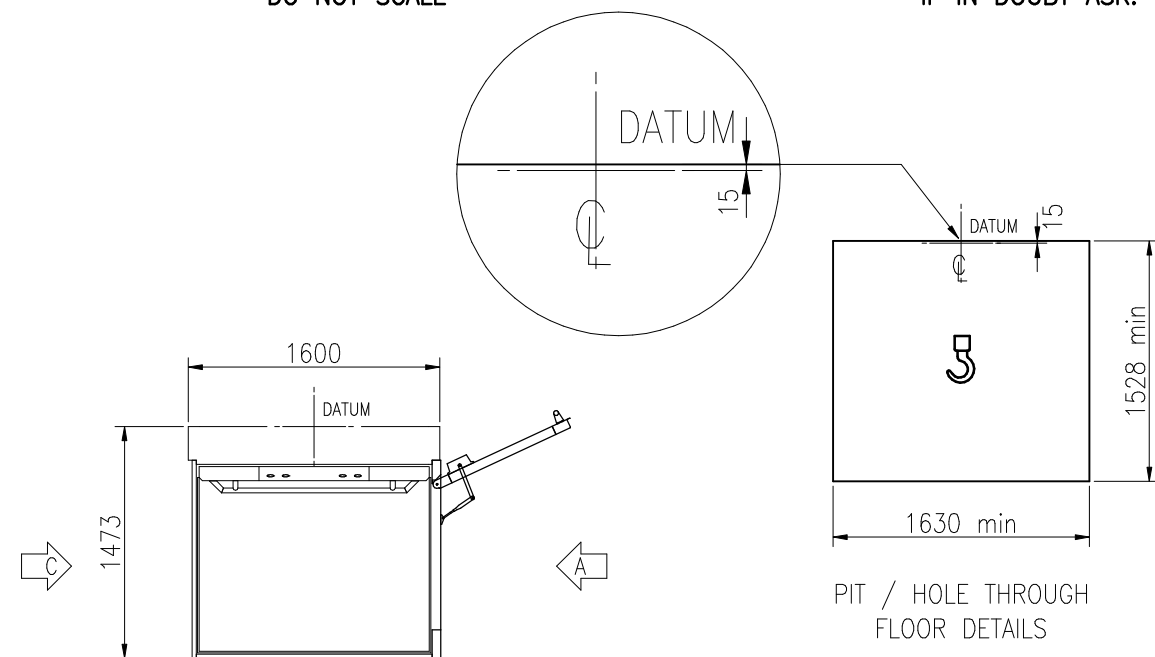


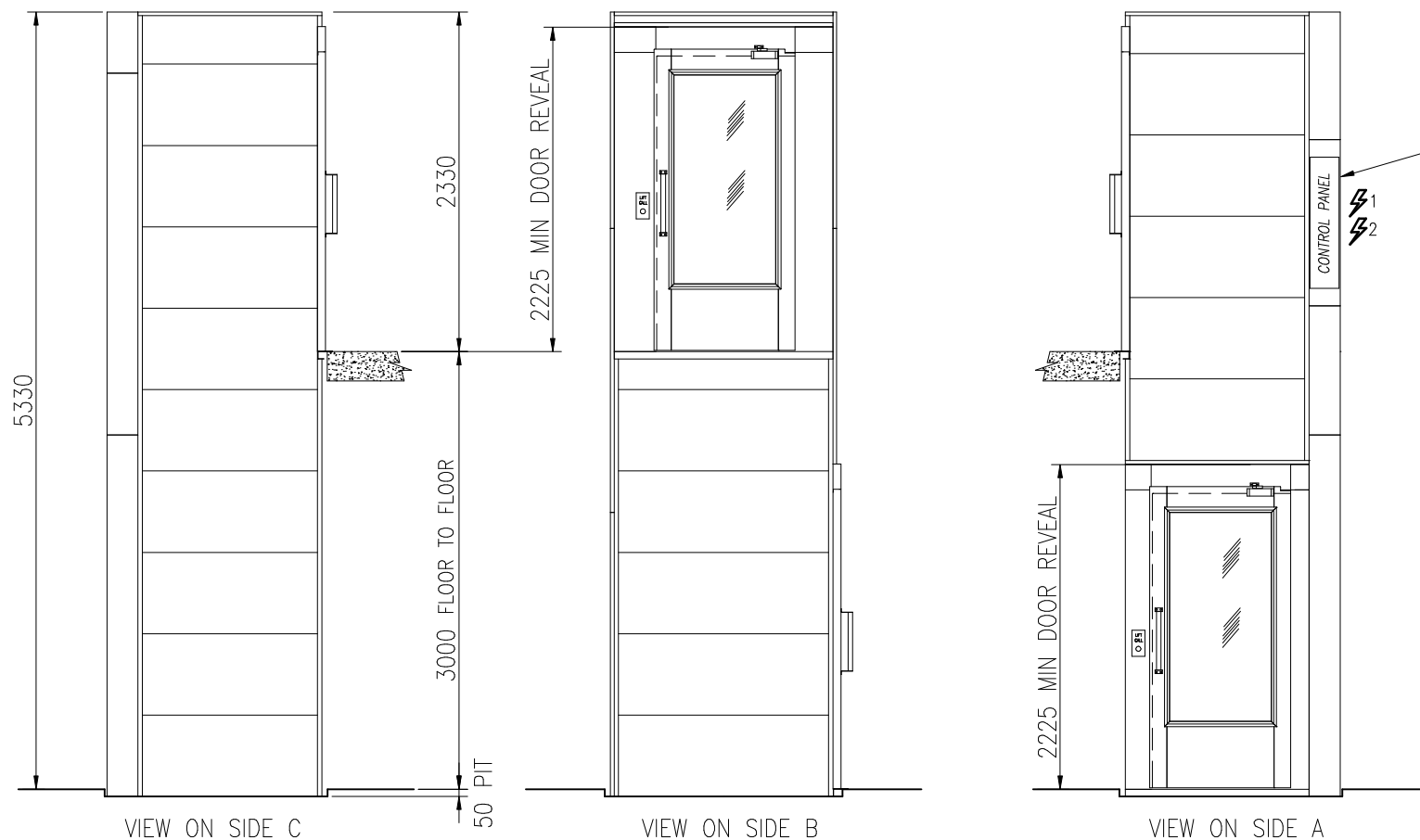
ALL DIM. ARE IN mm

DO NOT SCALE

IF IN DOUBT ASK!



SECTION THROUGH LIFT AT GROUND FLOOR



VIEW ON SIDE C

VIEW ON SIDE B

VIEW ON SIDE A

ACCESS REQUIRED TO CONTROL PANEL & EMERGENCY LOWERING POINT

SPECIFICATION

VERTICAL PLATFORM LIFT  
FOR USE BY PERSONS WITH IMPAIRED MOBILITY ONLY  
LOADING TO 400kg, TWO PERSON OCCUPANCY WITH FULLY ENCLOSED SHAFT  
PLATFORM SIZE 1480mm x 1100mm

ELECTRICAL REQUIREMENTS

- ⚡<sub>1</sub> LIFT POWER SUPPLY  
1 PHASE 230V 20A or  
3 PHASE 415V 10A
- ⚡<sub>2</sub> CEILING LIGHT POWER SUPPLY  
1 PHASE 230V 6A

LIFTING BEAM / POINT REQUIREMENTS

- ⚙ LIFTING BEAM / POINT REQUIRED RATED AT 500kg SWL

OTHER NOTES

ACCESS WILL BE REQUIRED TO THE SIDE OF MAST AT TOP LANDING LEVEL FOR THE CONTROL PANEL & EMERGENCY LOWERING POINT

OPTIONS AVAILABLE

- KEY SWITCH DOOR CALL POINTS
- KEY ISOLATE DOOR CALL POINTS
- STAINLESS STEEL DOOR HANDLES
- PIT
- SPLIT MAST
- POWERED DOOR ACTUATORS
- REAR CLADDING PANELS
- CEILING WITH LIGHT FITTING
- STAINLESS STEEL GRAB RAIL
- MAST SUPPORT BRACKETS
- FOLD DOWN PLATFORM SEAT
- AUTODIALER
- PLATFORM AUDIBLE / VISUAL ANN.
- INDUCTION LOOP
- AUDIBLE ANN. ON LANDING
- VISUAL ANN. ON LANDING
- SUPPLEMENTARY VISUAL ALARM
- EXTERNAL ROOF
- EXTERNAL DOOR WEATHER STRIP(S)
- GLAZING
- SIDE A
- SIDE B
- SIDE C

B	J.J.SELFRIDGE 08 NOV 06	OPTIONS ADJUSTED
A	A.J.ROLLINGS 08 NOV 06	ORIGINAL ISSUE
ISSUE	DRN./DATE	CHANGE DETAILS

CLIENT

- 
- 
- 
- 

TITLE  
VERTICAL LIFTING PLATFORM  
TYPICAL LAYOUT DRAWING  
ADJACENT DOOR AT TOP LANDING LEVEL  
1100 PLATFORM

CONTRACT NO: - ORIGINAL SCALE: 1:50

DRAWING NO: K-TYP05

# Dalby

**HARRY DALBY ENGINEERING LTD**  
GLOUCESTER CRESCENT WIGSTON LEICESTER LE18 4YQ  
TEL: 0116 291 6000 FAX: 0116 291 6001

THIS DRAWING IS ISSUED SOLELY ON THE UNDERSTANDING THAT IT IS COPYRIGHT AND CONFIDENTIAL. IT MAY NOT BE USED OR REPRODUCED WITHOUT PRIOR WRITTEN CONSENT OF THE COMPANY

DRAWING APPROVAL

DRAWING APPROVED BY DISTRIBUTOR

SIGN..... NAME..... DATE .../.../...

DRAWING APPROVED BY CLIENT

SIGN..... NAME..... DATE .../.../...

THIRD ANGLE PROJECTION

A3