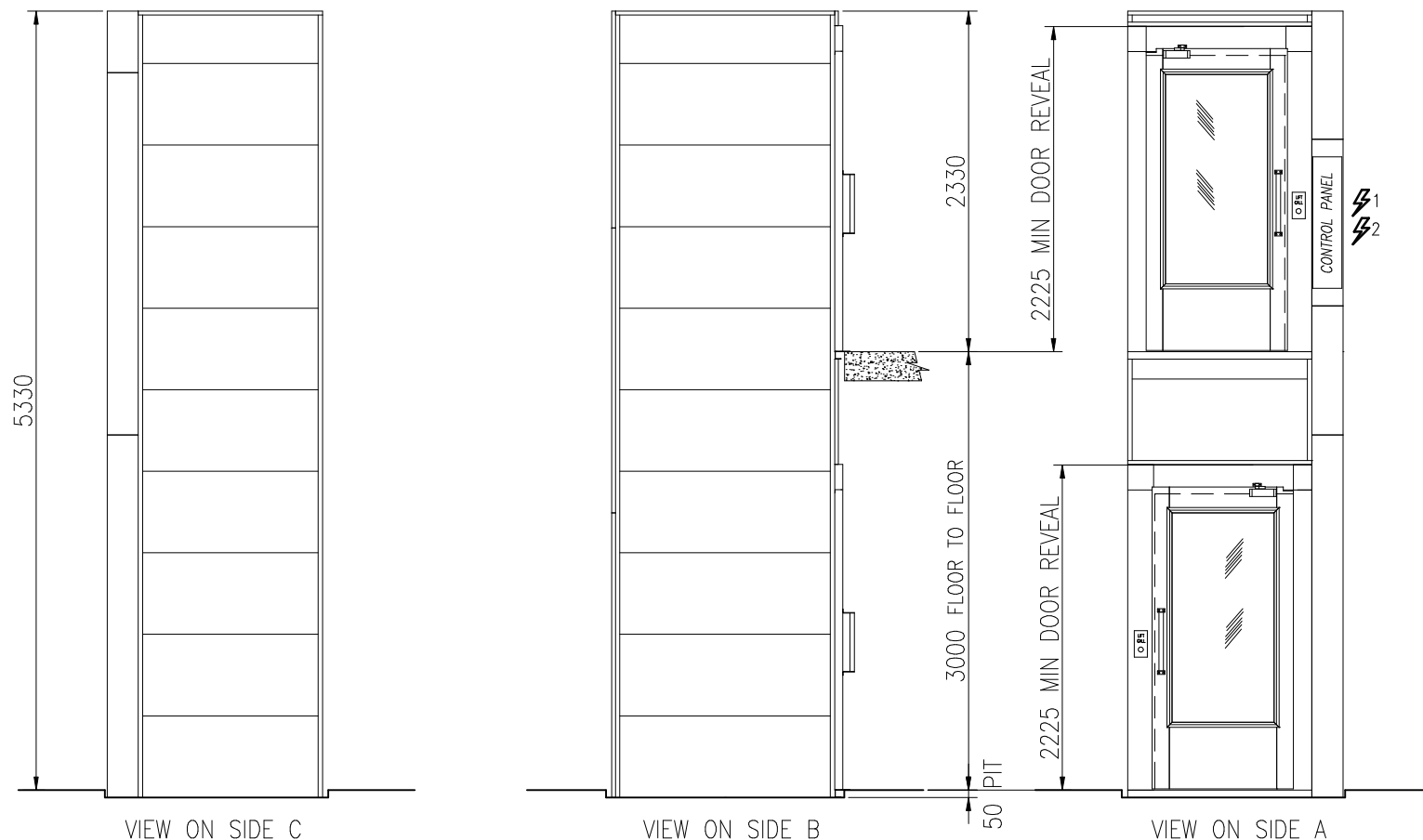
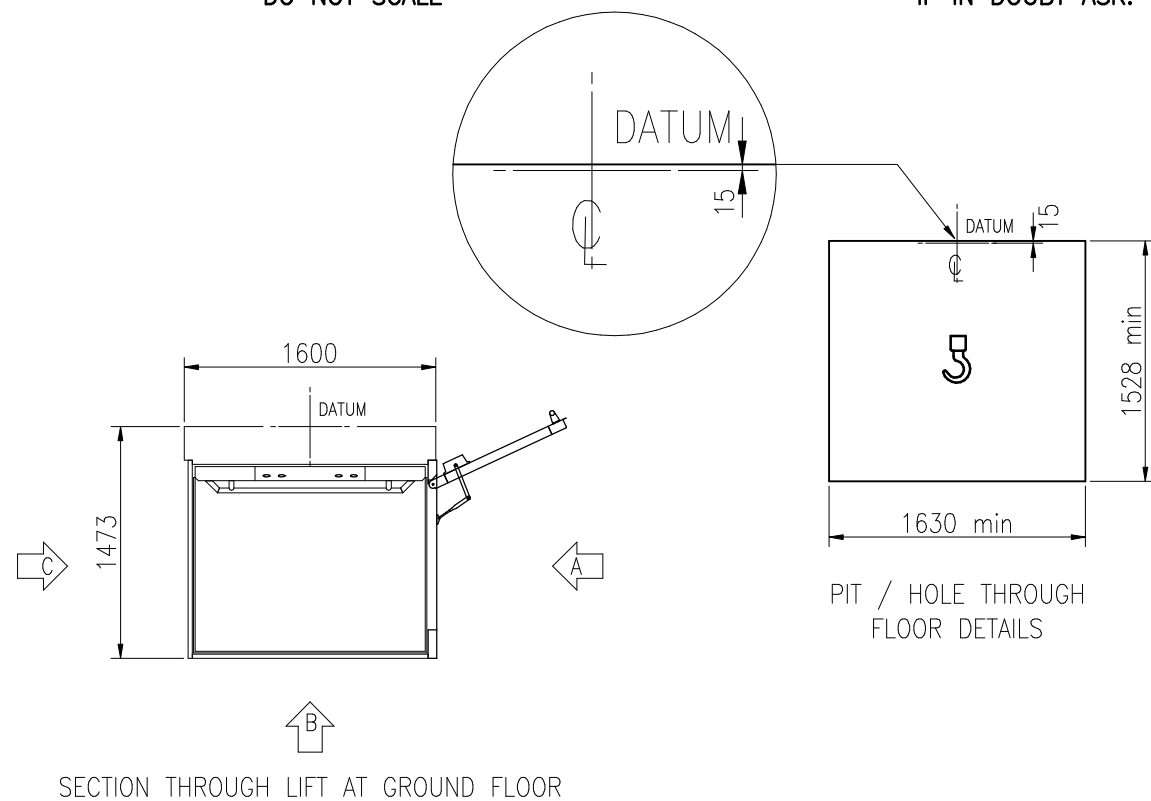


ALL DIM. ARE IN mm

DO NOT SCALE

IF IN DOUBT ASK!



SPECIFICATION		OPTIONS AVAILABLE	
VERTICAL PLATFORM LIFT FOR USE BY PERSONS WITH IMPAIRED MOBILITY ONLY LOADING TO 400kg, TWO PERSON OCCUPANCY WITH FULLY ENCLOSED SHAFT PLATFORM SIZE 1480mm x 1100mm		KEY SWITCH DOOR CALL POINTS KEY ISOLATE DOOR CALL POINTS STAINLESS STEEL DOOR HANDLES PIT SPLIT MAST POWERED DOOR ACTUATORS REAR CLADDING PANELS CEILING WITH LIGHT FITTING STAINLESS STEEL GRAB RAIL MAST SUPPORT BRACKETS	
ELECTRICAL REQUIREMENTS		FOLD DOWN PLATFORM SEAT AUTODIALER PLATFORM AUDIBLE / VISUAL ANN. INDUCTION LOOP AUDIBLE ANN. ON LANDING VISUAL ANN. ON LANDING SUPPLEMENTARY VISUAL ALARM	
⚡1	LIFT POWER SUPPLY 1 PHASE 230V 20A or 3 PHASE 415V 10A		
⚡2	CEILING LIGHT POWER SUPPLY 1 PHASE 230V 6A		
LIFTING BEAM / POINT REQUIREMENTS		EXTERNAL ROOF EXTERNAL DOOR WEATHER STRIP(S) GLAZING SIDE A SIDE B SIDE C	
⚡	LIFTING BEAM / POINT REQUIRED RATED AT 500kg SWL		
B	J.J.SELFRIDGE 17 APR 09	OPTIONS ADJUSTED	
A	A.J.ROLLINGS 07 NOV 06	ORIGINAL ISSUE	
ISSUE	DRN./DATE	CHANGE DETAILS	
CLIENT			
-			
-			
-			
-			
TITLE			
VERTICAL LIFTING PLATFORM TYPICAL LAYOUT DRAWING DOORS SAME SIDE 1100 PLATFORM			
CONTRACT NO: -		ORIGINAL SCALE:	1:50
DRAWING NO:		K-TYP02	
<h1>Dalby</h1>			
DRAWING APPROVAL			
DRAWING APPROVED BY DISTRIBUTOR			
SIGN..... NAME..... DATE .../.../...			
DRAWING APPROVED BY CLIENT			
SIGN..... NAME..... DATE .../.../...			
		THIRD ANGLE PROJECTION	A3
HARRY DALBY ENGINEERING LTD GLOUCESTER CRESCENT WIGSTON LEICESTER LE18 4YQ TEL: 0116 291 6000 FAX: 0116 291 6001			
THIS DRAWING IS ISSUED SOLELY ON THE UNDERSTANDING THAT IT IS COPYRIGHT AND CONFIDENTIAL. IT MAY NOT BE USED OR REPRODUCED WITHOUT PRIOR WRITTEN CONSENT OF THE COMPANY			